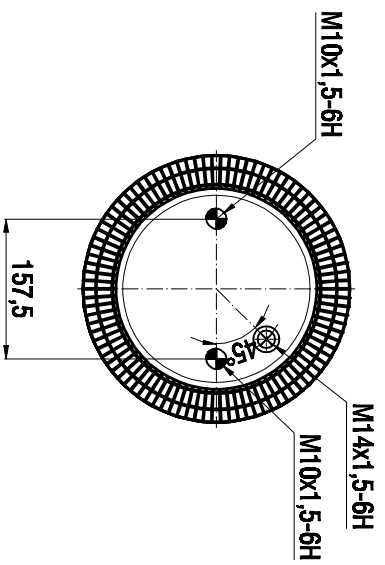
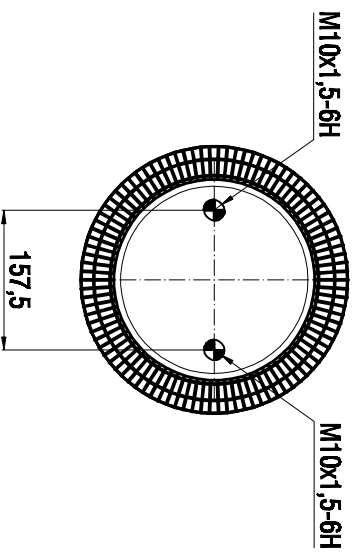


TOP VIEW



BOTTOM VIEW



Drawings are prepared for catalogue study.

№	0	First drawing	17.05.2018			
Changes				Drawn by	Checked by	Approved by
De and made						
WESHT:						
—kg						
PART NAME: A2 300/K12 Metal Kati Koruk(Artec)			ORDER NO.:16900582			
De and made Main drawing			<input checked="" type="checkbox"/> Solid/3d <input checked="" type="checkbox"/> Combo solid <input checked="" type="checkbox"/> Air tek <input checked="" type="checkbox"/> Threaded hole			
<small>All rights of this document are the property of AKTAS. It is forbidden to reproduce, distribute, or use this document without the written permission of AKTAS.</small>						
PART NAME: A2 300/K12 Metal Kati Koruk(Artec)			