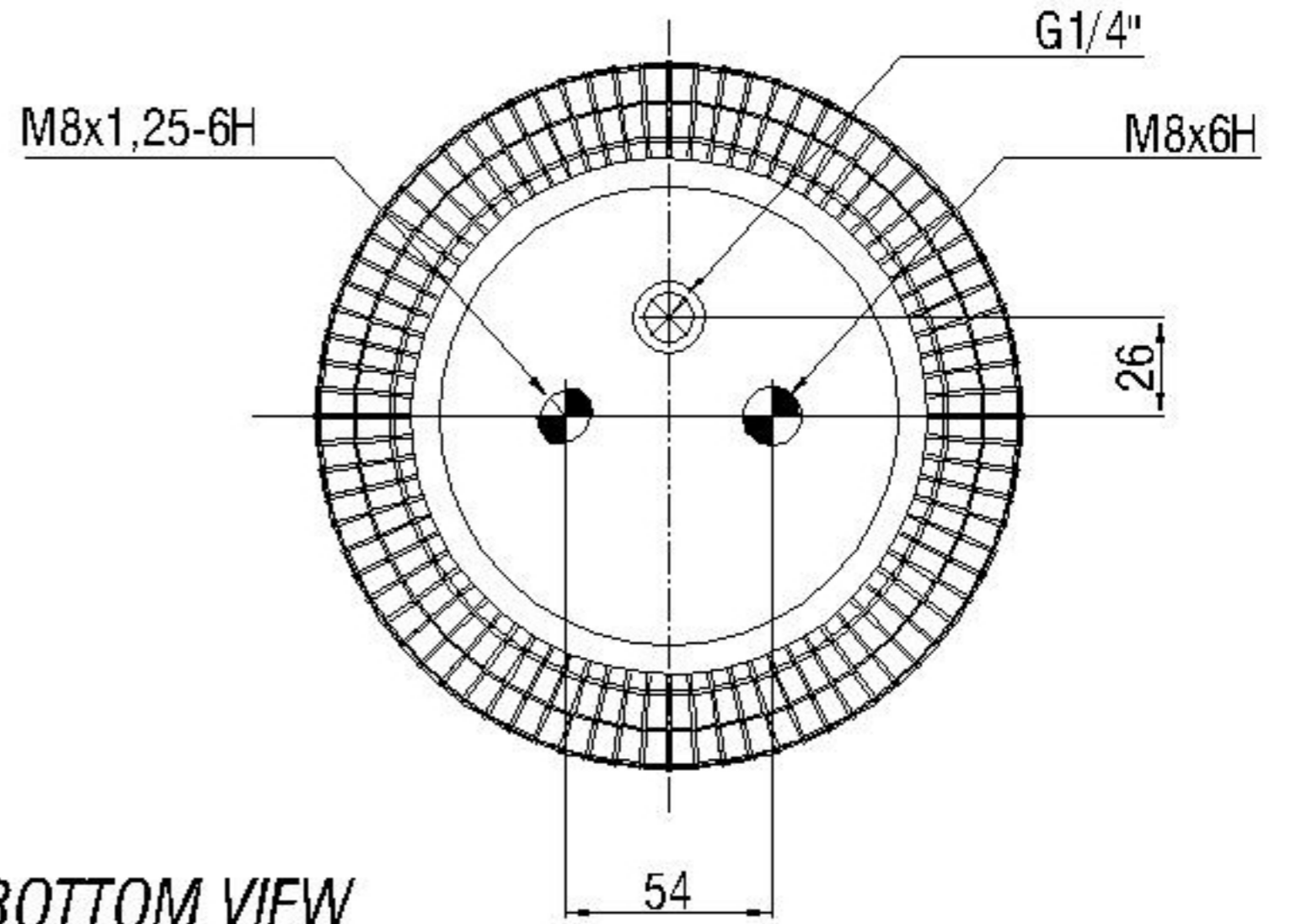
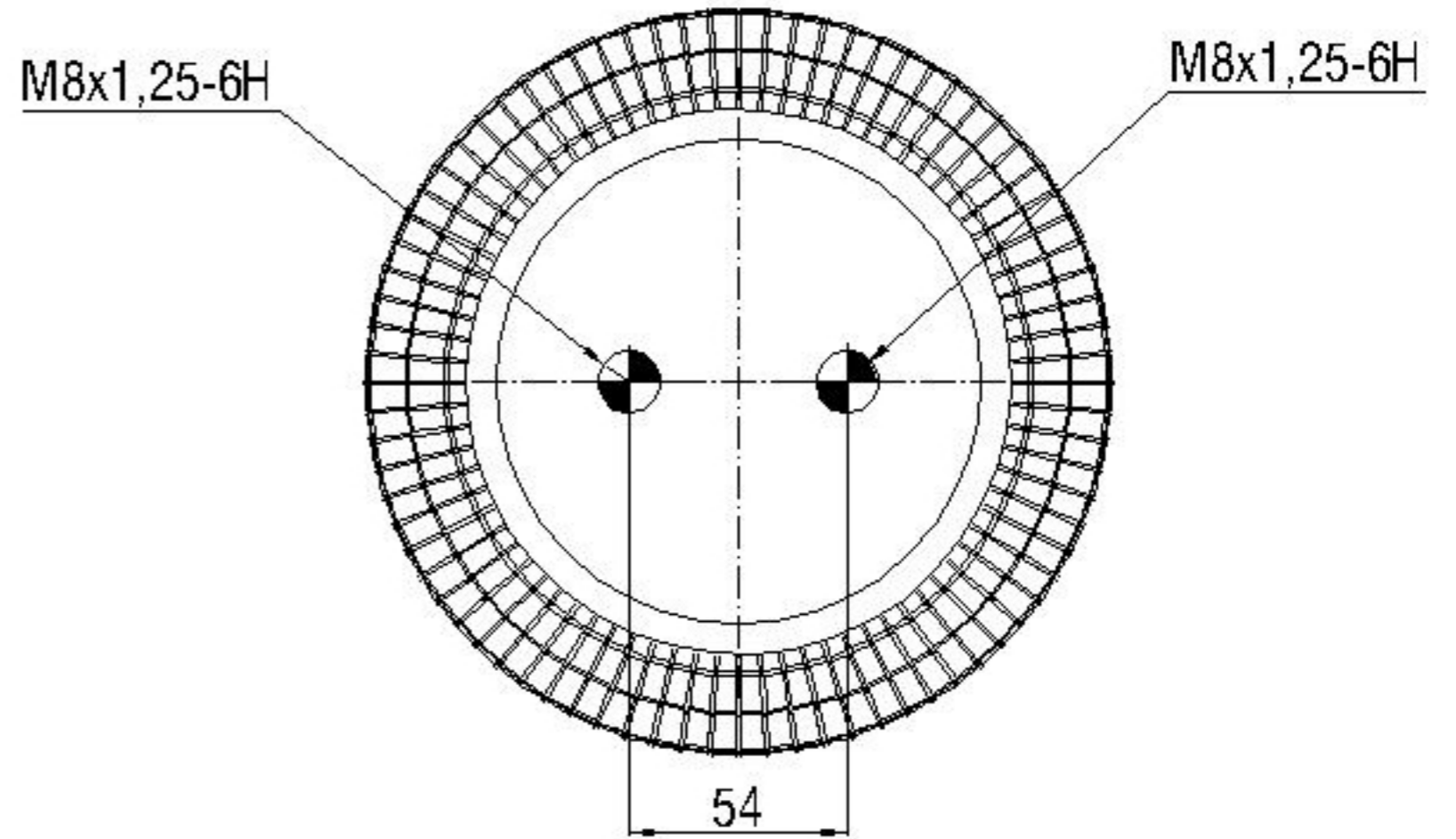


TOP VIEW



BOTTOM VIEW



Drawings are prepared for catalogue study.

Changes	0	First drawing	27.02.2018			
	Issue	Changes	Date	Drawn by	Checked by	Approved by
PART WEIGHT:	Do not scale this drawing	● Bolt Stud	⊗ Combo stud	⊗ Air inlet	⊗ Threaded hole	
...Kg.	<small>..All rights in this document are the property of AKTAŞ. In case of use without express request made available study for purposes other than without written permission AKTAŞ.</small>				ORDER NO: 16900422	
PART NAME:	A2 185/K01 Metalli Katlı Körük(Airtech)					