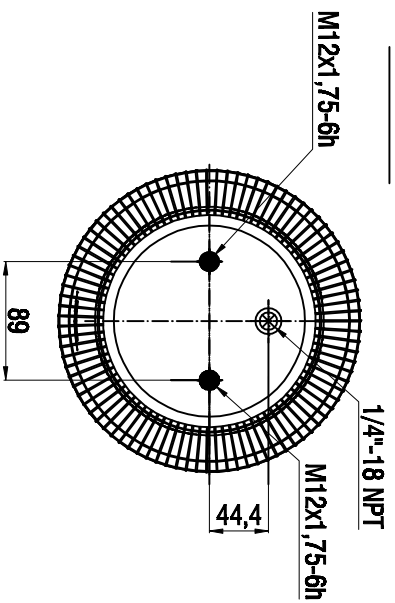
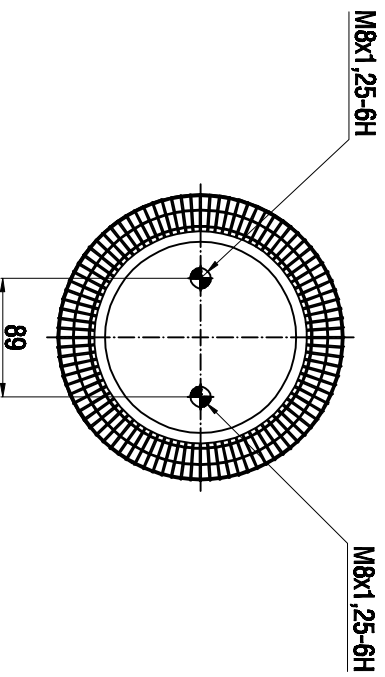


TOP VIEW



BOTTOM VIEW



Drawings are prepared for catalogue study.

1							
0	First drawing	08.01.2018					
1	Changes	Date	Drawn by	Checked by	Approved by		
De and made Main drawing		<input checked="" type="checkbox"/> Solid/3d	<input checked="" type="checkbox"/> Combo solid	<input checked="" type="checkbox"/> Air view	<input checked="" type="checkbox"/> Threaded hole	All rights of this document are the property of AKTAS. It is forbidden to use, copy, reproduce, disseminate, or to make any changes without the prior written permission of AKTAS.	
PART NAME: A2 225/30-K14 Metallik Kati Koruk(Alnach)		ORDER NO.: 16900332					