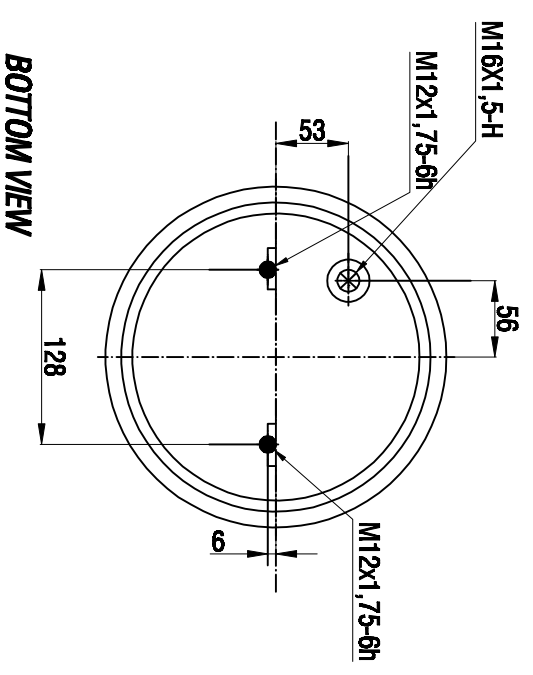
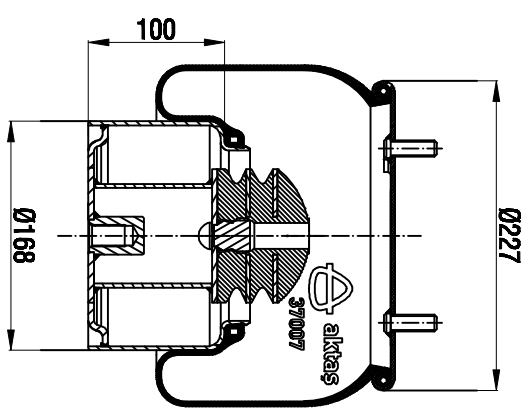
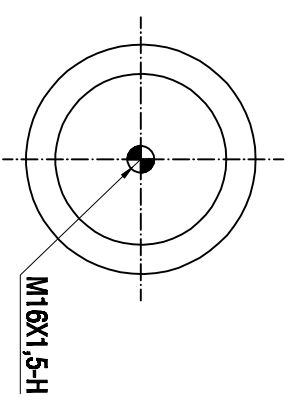


TOP VIEW



BOTTOM VIEW



Drawings are prepared for catalogue study.

Changes					
0	First drawing	26.12.2017			
Issues	Changes	Date	Drawn by	Checked by	Approved by
Do not mark this drawing	<input checked="" type="checkbox"/> Draft/Prod	<input checked="" type="checkbox"/> Control steel	<input checked="" type="checkbox"/> Air line	<input checked="" type="checkbox"/> Threaded hole	
<small>All rights of this document are the property of AKTAS A.S. It is prohibited to use and spread information made available by this part drawing or part without written permission of AKTAS A.S.</small>					
PART WEIGHT:					ORDER NO: 137821
12,440 kg					
PART NAME:	37007 K COMPLETE (AKTAS)				