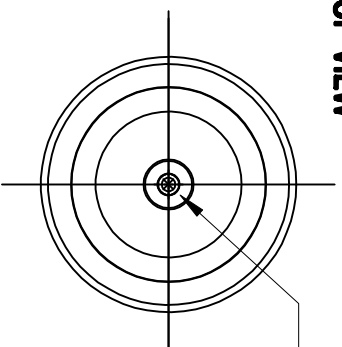
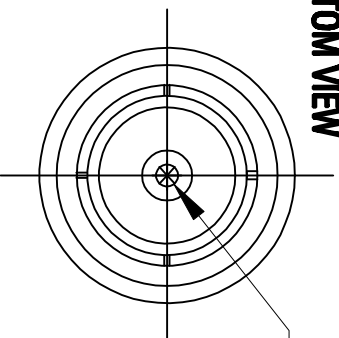


TOP VIEW



Ø12,7

BOTTOM VIEW



1/8" NPT

Drawings are prepared for catalogue study.

1						
0	Rev. drawing	31.05.2017				
3 Issues	Changes	Date	Drawn by	Checked by	Approved by	
Do not write with drawing	Do not write with drawing	Do not write with drawing	Do not write with drawing	Do not write with drawing	Do not write with drawing	Do not write with drawing
WEIGHT:						
...						
<small>All rights of this document are the property of AKTAS. It is forbidden to reproduce, copy, distribute, sell, or use it in any way without the written permission of AKTAS.</small>						<b>ORDER NO: 17000742</b>
<b>PART NAME: A 3002027 USA Cabin Airspring (Atritech)</b>						