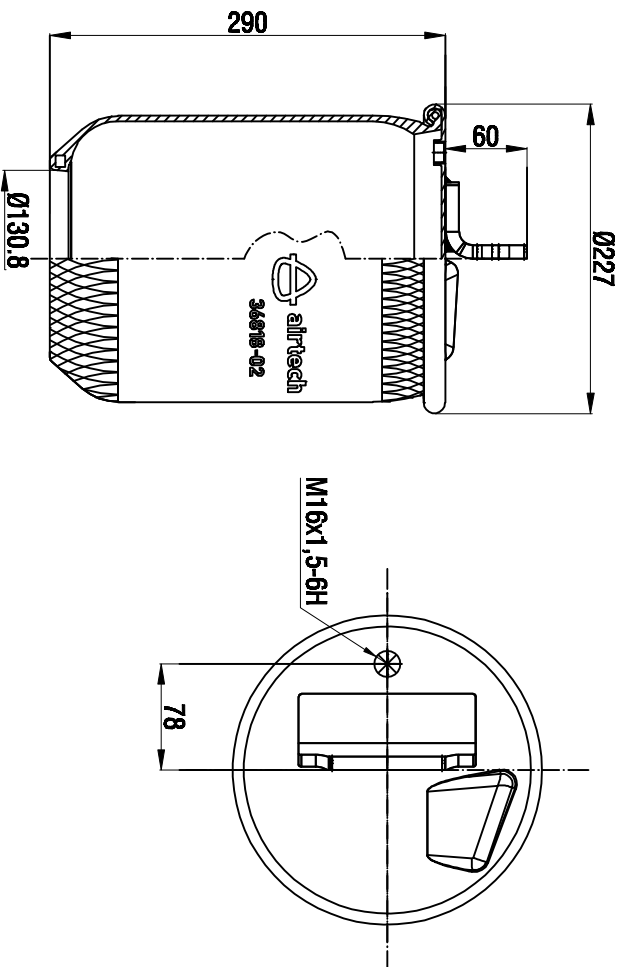


TOP VIEW



Drawings are prepared for catalogue study.

Revision		Date		Drawn by		Checked by		Approved by	
0	First drawing	29.05.2017							
Change		Date		Drawn by		Checked by		Approved by	
Do not make this drawing									
<input checked="" type="checkbox"/> Body/Steel <input checked="" type="checkbox"/> Gumbo steel <input checked="" type="checkbox"/> Air hole <input checked="" type="checkbox"/> Threaded hole		<small>All rights of the document and the property of AKTAS belong to the company and all rights reserved. Any use without the prior written permission of AKTAS is prohibited.</small>							
PART NAME		36818-02 P SERVICE ASSEMBLY (AIRTECH)						ORDER NO.:123792	
		