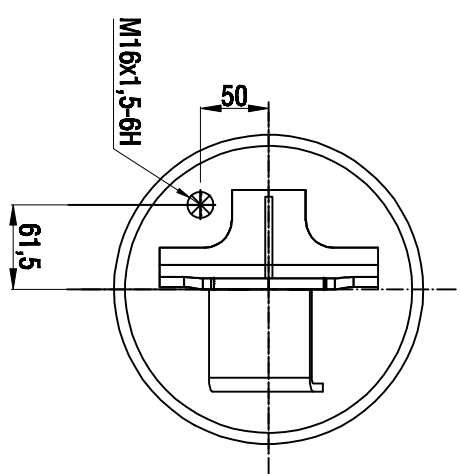


TOP VIEW



Drawings are prepared for catalogue study.

Revision		Date		Drawn by		Checked by		Approved by		
0	First drawing	29.05.2017								
Change		Date		Drawn by		Checked by		Approved by		
Do not make this drawing		Date		Drawn by		Checked by		Approved by		
<input checked="" type="checkbox"/> Body/Steel <input type="checkbox"/> Cast <input type="checkbox"/> Cast <input type="checkbox"/> Air hole <input checked="" type="checkbox"/> Threaded hole		<small>All rights of the document are the property of AKTAS. Any use, reproduction, distribution, or any other action without written permission of AKTAS.</small>								
PART NAME:		36818-03 P SERVICE ASSEMBLY (AIRTECH)						ORDER NO.:123782		