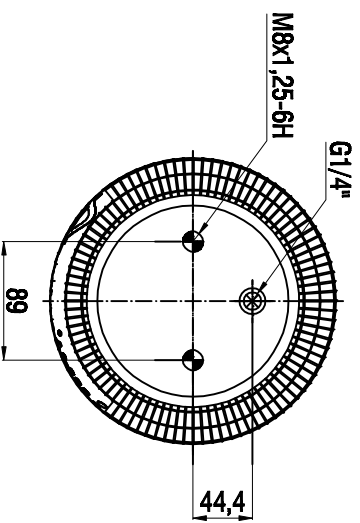
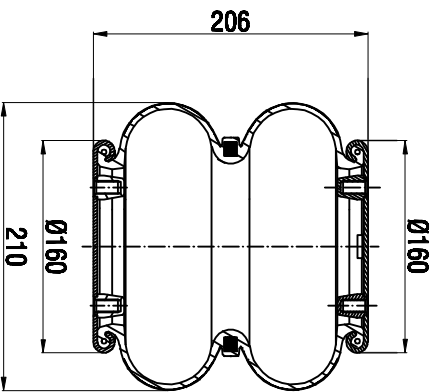
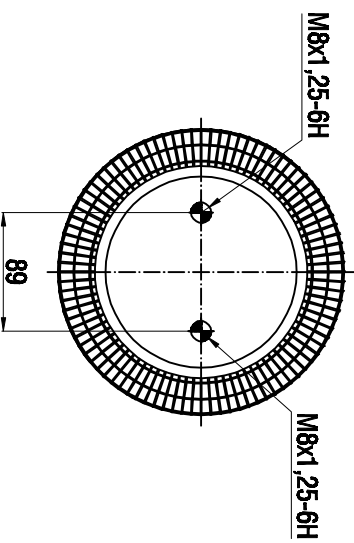


**TOP VIEW**



**BOTTOM VIEW**



Drawings are prepared for catalogue study.

1							
0	First drawing	27.10.2016					
1	Changes	Date	Drawn by	Checked by	Approved by		
PAKT	De and made	<input checked="" type="checkbox"/> Red/Red	<input checked="" type="checkbox"/> Change steel	<input checked="" type="checkbox"/> Air tech	<input checked="" type="checkbox"/> Threaded hole		
WEIGHT:	Main drawing	<small>All rights of this document are the property of AKTAS. It is forbidden to reproduce, distribute, or use this document in any form without the prior written permission of AKTAS.</small>					ORDER NO.:16900102
-Kg		PART NAME: <b>A2 220/K17 Metall Kallı Korduk(Airtech)</b>					