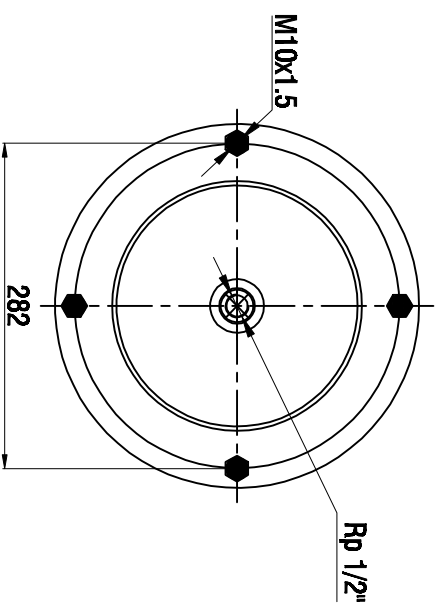
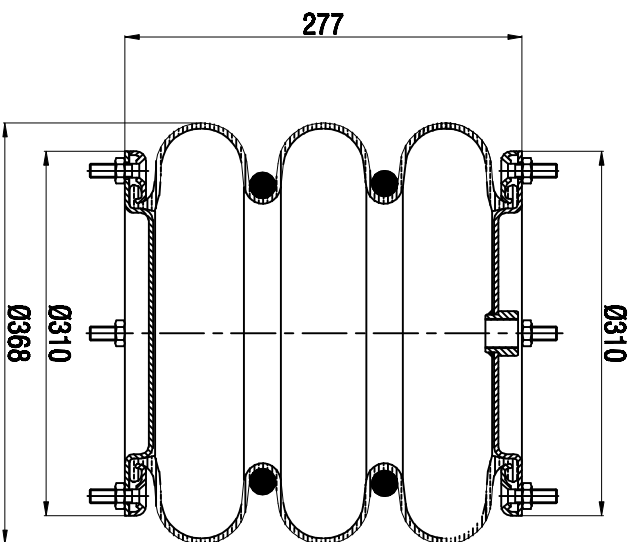
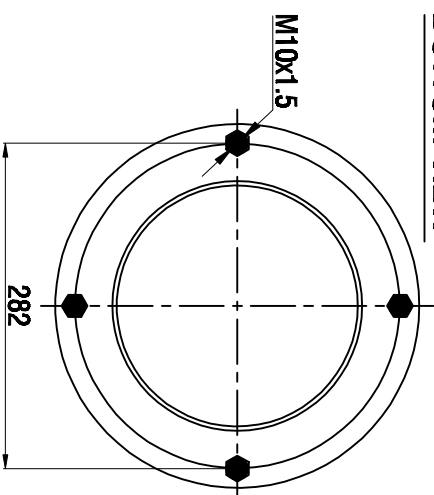


TOP VIEW



BOTTOM VIEW



Drawings are prepared for catalogue study.

1							
0	First drawing	26.05.2014					
1	Changes	Date	Drawn by	Checked by	Approved by		
PART WEIGHT:		Do not scale this drawing on the project or make any modifications and avoid spreading such modified drawings to other projects without written permission of AKTAS.		<input type="checkbox"/> Solid/3d <input checked="" type="checkbox"/> 2D/2d <input checked="" type="checkbox"/> Combo solid <input checked="" type="checkbox"/> Air view <input checked="" type="checkbox"/> Threaded hole		ORDER NO: 140748	
PART NAME:		A3 370/K07 Hyd Metall Kati Korduk(Airtech)				