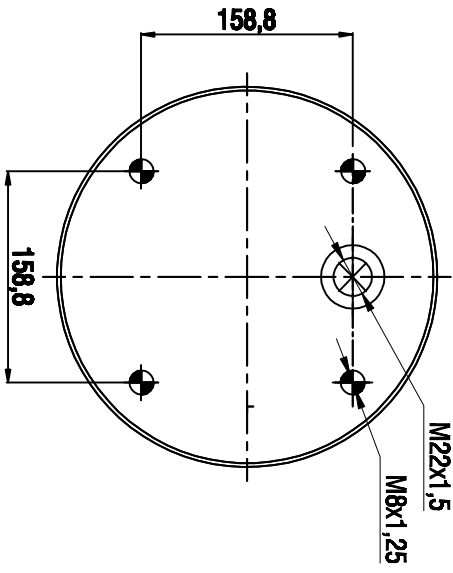
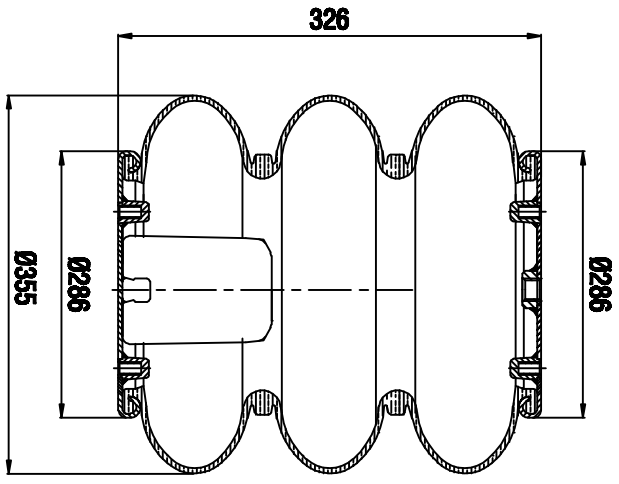
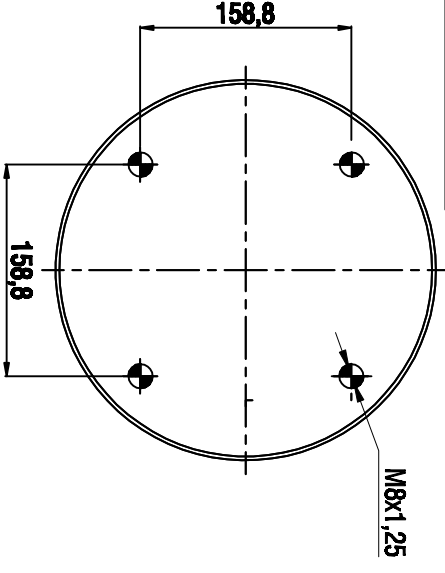


TOP VIEW



BOTTOM VIEW



Drawings are prepared for catalogue study.

1						
0	First drawing	20.05.2014				
1	Changes		Drawn by	Checked by	Approved by	
PART		De and made	● Solid/rod	⊗ Combo steel	⊗ Air vent	⊕ Threaded hole
WEIGHT:		Min drawing	<small>All rights of this document are the property of AKTAS. It is forbidden to use, copy, reproduce, distribute, sell and export, regardless of whether it is for private or professional use, without the prior written consent of AKTAS.</small>			
-Kg		PART NAME: A3 350/K02 Metall Kadi Koruk(Altrech)				ORDER NO.:140726
		