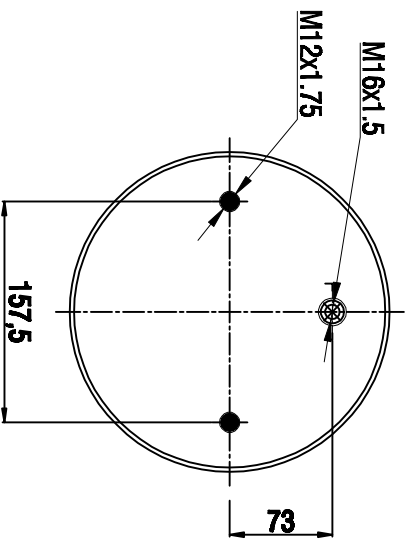
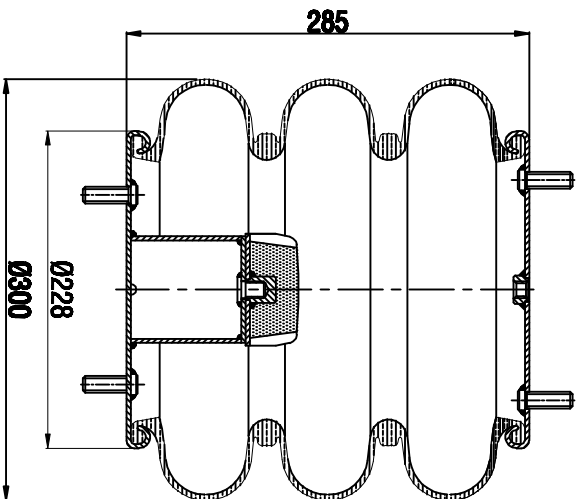
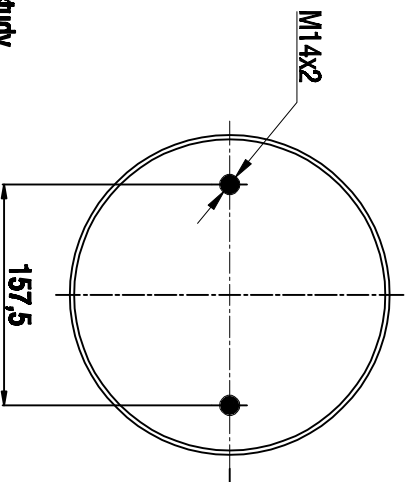


TOP VIEW



BOTTOM VIEW



Drawings are prepared for catalogue study.

REV		DATE		BY		APPROVED BY	
0	First drawing	26.05.2014					
PART		Changes		Drawn by		Checked by	
WEIGHT:		De and made this drawing		Date		Approved by	
Kg		● Solid		⊗ Combo steel		⊗ Air tank	
		⊕ Threaded hole					
PART NAME: A3 300/K11 Hyd Metall Kadi Koruk(Airtach)				ORDER NO: 140718			