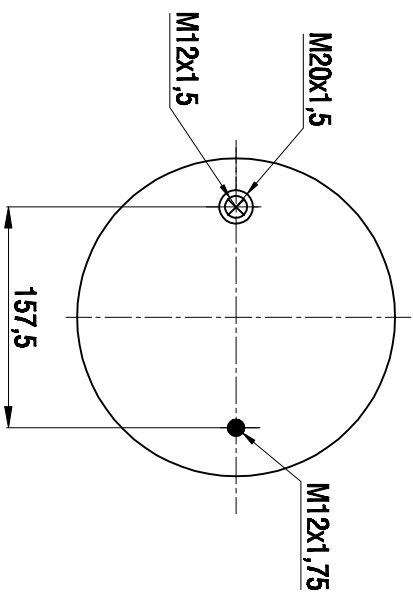
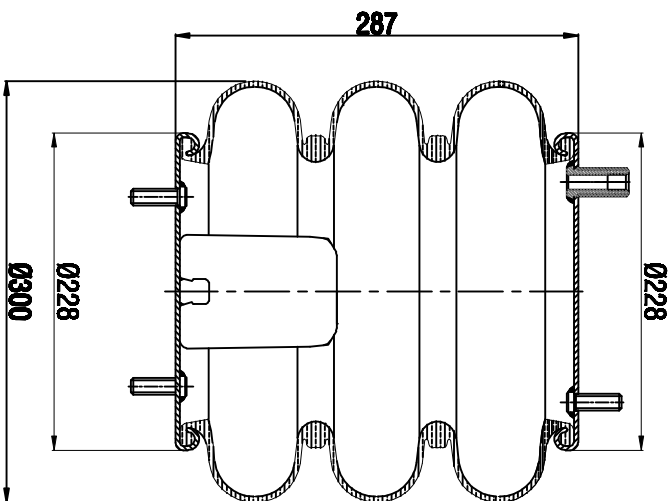
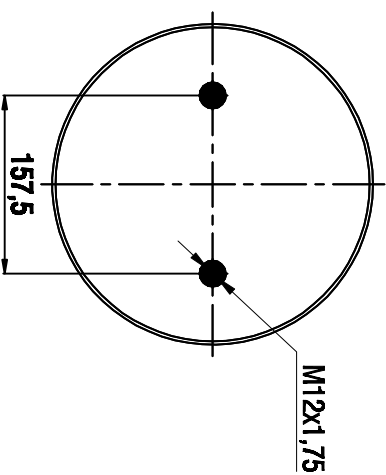


TOP VIEW



BOTTOM VIEW



Drawings are prepared for catalogue study.

1					
0		First drawing		26.05.2014	
PART		Changes		Date	
WEIGHT:		Do not scale		Date	
-Kg		Main drawing		Drawn by	
		● Solid		Checked by	
		⊗ Hidden		Approved by	
		⊗ Cut out			
		⊕ Thread hole			
		All sizes of this document are in mm unless otherwise specified.			
		and equal operations with suitable being taken for the same.			
		which shall be provided in the drawing.			
PART NAME:		A3 300/K04 Hyd Metall Kadi Koruk(Airtecth)		ORDER NO:140711	
		