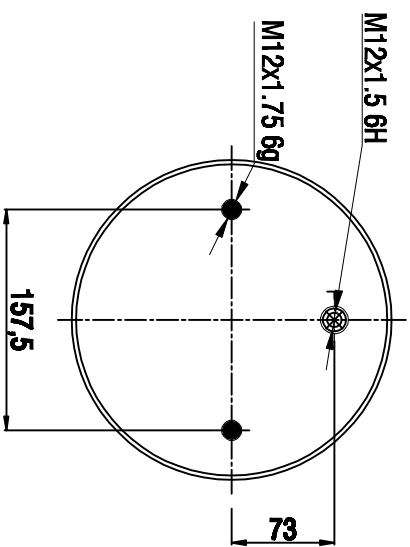
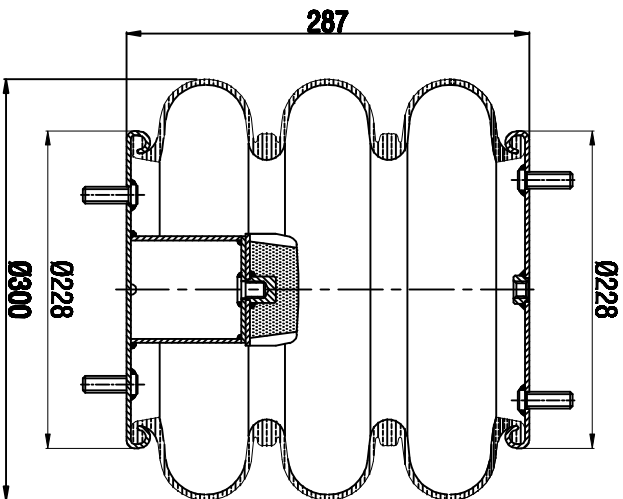
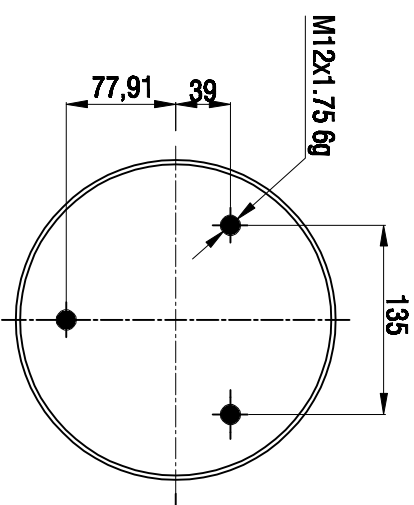


TOP VIEW



BOTTOM VIEW



Drawings are prepared for catalogue study.

1					
0		First drawing		26.05.2014	
1		Changes		Date	
PART		De and made		● Solid	
WEIGHT:		Main drawing		⊗ Centre stud	
_Kg				⊗ Air hole	
				⊕ Threaded hole	
<small>All data of this document are the property of AKTAS. It is forbidden to use, copy, reproduce, disseminate, modify, or transfer the data without the written permission of AKTAS.</small>					
PART NAME:		A3 300/K02 Hyd Metall Kadi K(Airtech)		ORDER NO: 140709	
				