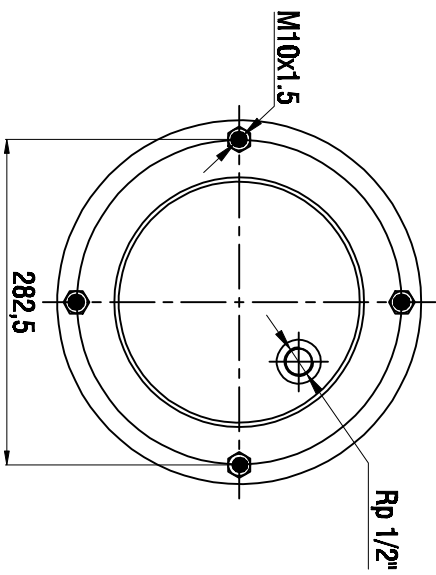
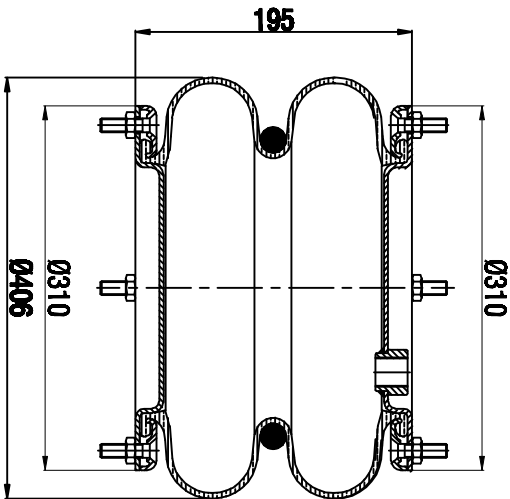
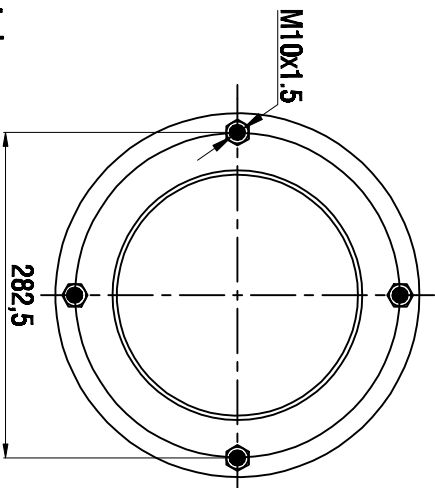


TOP VIEW



BOTTOM VIEW



Drawings are prepared for catalogue study.

1							
Rev	0	First drawing	26.05.2014	Drawn by	Checked by	Approved by	
Issue		Changes	Date				
PAKT		Do not write		<input checked="" type="checkbox"/> Solid	<input checked="" type="checkbox"/> Combo solid	<input checked="" type="checkbox"/> Air view	<input checked="" type="checkbox"/> Threaded hole
WEIGHT:		Main drawing					
-Kg				All data of this document are the property of AKTAS. It is forbidden to use and spread information without being authorized by AKTAS. All rights reserved by AKTAS.			
PART NAME:		A2 406/K05 Metall Kallı Korduk(Airtech)				ORDER NO: 140677	