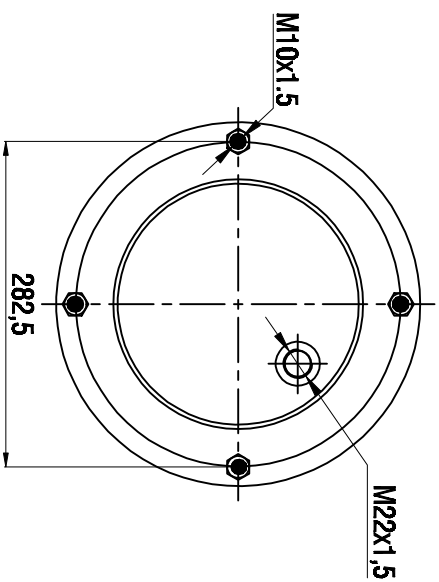
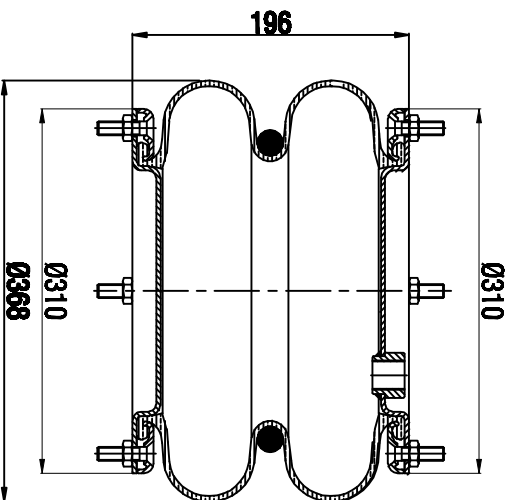
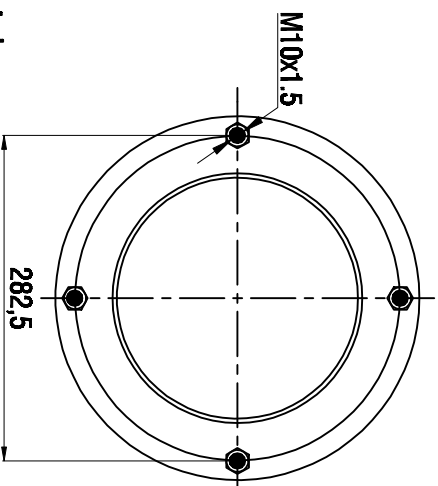


**TOP VIEW**



**BOTTOM VIEW**



Drawings are prepared for catalogue study.

1					
0		First drawing		26.05.2014	
1		Changes		Date	
PAKT		De and made		● Solid	
WEIGHT:		Main drawing		⊗ Chamfer steel	
-Kg				⊗ Air vent	
				⊕ Threaded hole	
<small>All data of this document are the property of AKTAS. It is forbidden to use, copy, reproduce, modify, copy, distribute, sell, rent, lease, loan, or otherwise disclose this information without the prior written permission of AKTAS.</small>					
PART NAME:		A2 370/K04 Metall Kallı Korduk (Alraçlı)		ORDER NO: 140663	
				