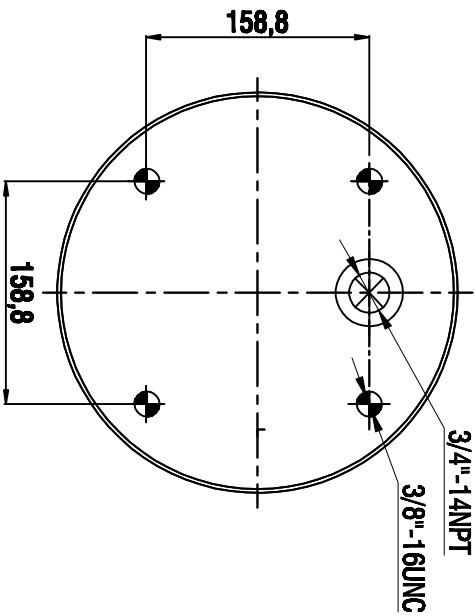
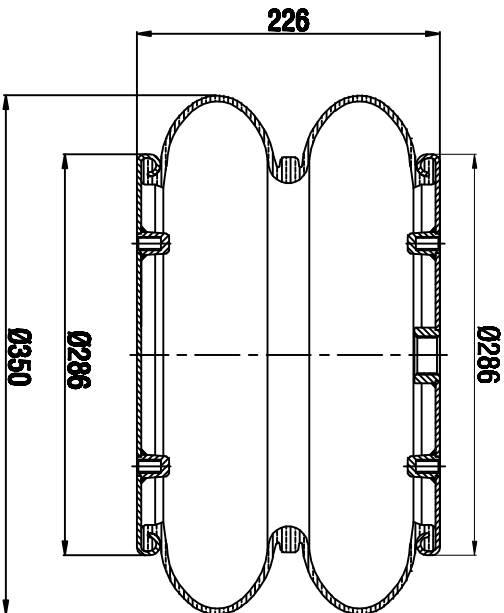
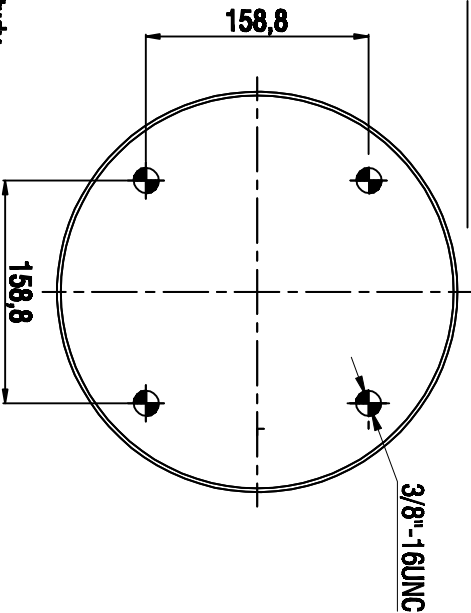


TOP VIEW



BOTTOM VIEW



Drawings are prepared for catalogue study.

1						
0	First drawing	26.05.2014				
1	Changes		Drawn by	Checked by	Approved by	
PART WEIGHT:		<input type="checkbox"/> Solid <input checked="" type="checkbox"/> Composite steel <input type="checkbox"/> Air cell <input type="checkbox"/> Threaded hole				
PART NAME:		A2 350/K01 Hyd Metall Kadi Koruk(Airtecth)				
ORDER NO:		140644				
Logo						