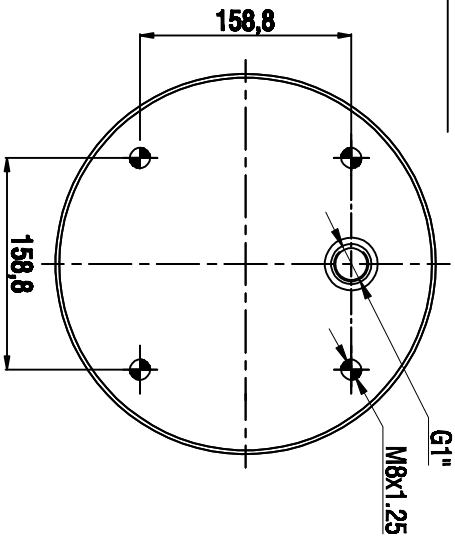
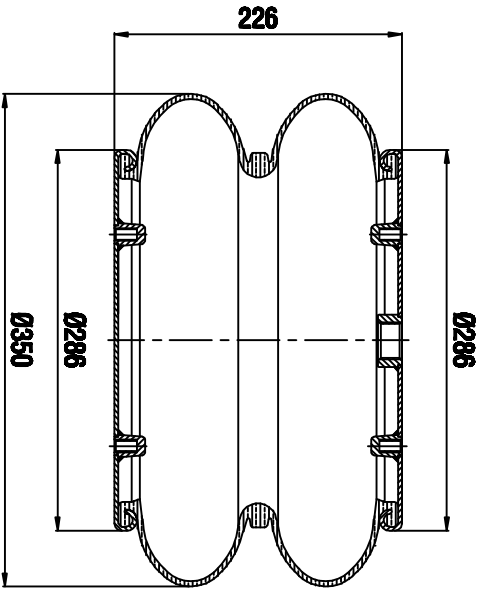
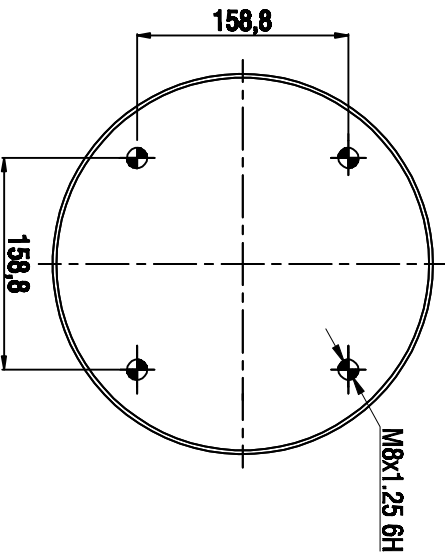


TOP VIEW



BOTTOM VIEW



Drawings are prepared for catalogue study.

1							
0	First drawing	20.05.2014					
PAKT	Changes	Date	Drawn by	Checked by	Approved by		
WEIGHT:	De and made Main drawing	<input checked="" type="checkbox"/> Solid/real	<input checked="" type="checkbox"/> Combo steel	<input checked="" type="checkbox"/> Air tek.	<input checked="" type="checkbox"/> Threaded hole		
-Kg	<small>All rights of this document are the property of AKTAS. It is forbidden to use, copy, reproduce, modify, transfer, publish, disseminate, or to use in any way without the written permission of AKTAS.</small>					ORDER NO:140635	
PART NAME:		A2 350/K02 Metall Kallı Korduk(Airtech)				