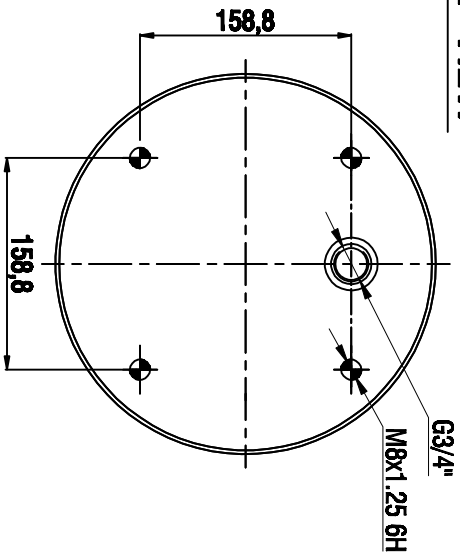
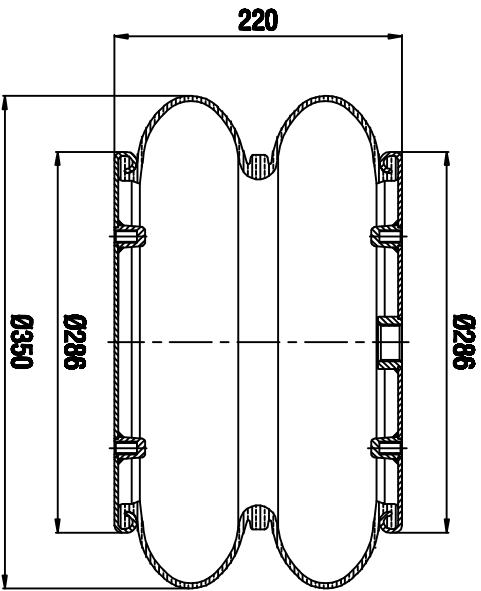
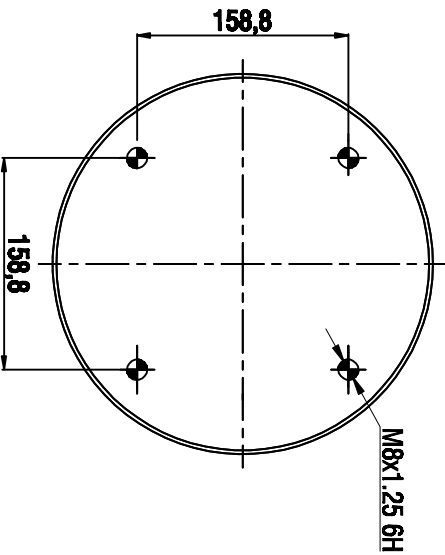


TOP VIEW



BOTTOM VIEW



Drawings are prepared for catalogue study.

1						
0	First drawing	20.05.2014				
PAKT	Changes	Date	Drawn by	Checked by	Approved by	
WEIGHT:	Do not scale Main drawing	<input checked="" type="checkbox"/> Solid/nd	<input checked="" type="checkbox"/> Combo steel	<input checked="" type="checkbox"/> Air tek	<input checked="" type="checkbox"/> Threaded hole	
—Kg	<small>All items of this document are the property of AKTAS. It is forbidden to use them without the written permission of AKTAS. All rights reserved.</small>					ORDER NO:140634
PART NAME:		A2 350/K01 Metall Kallı Korduk(Airtech)			