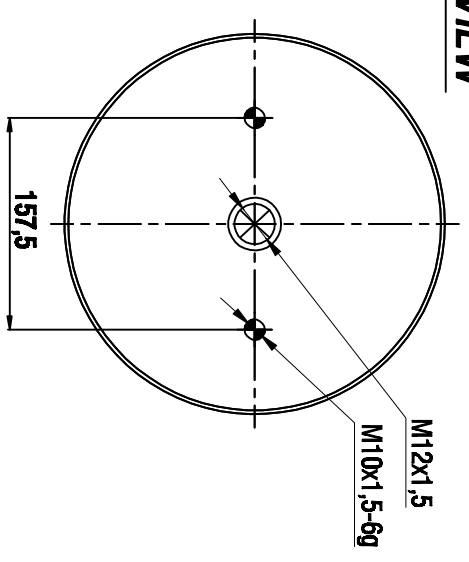
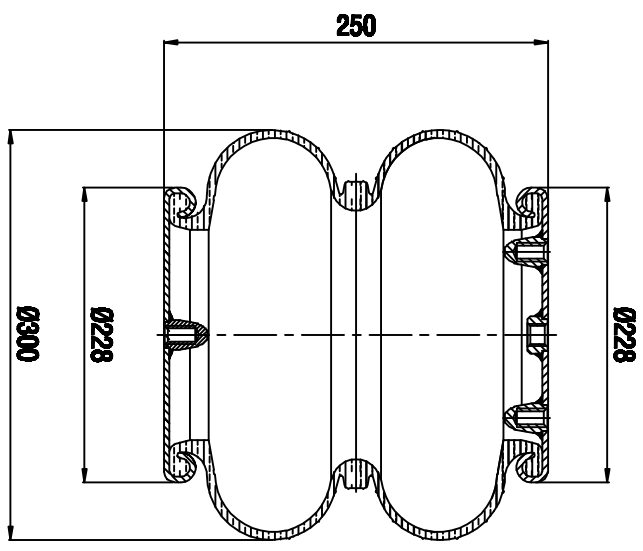
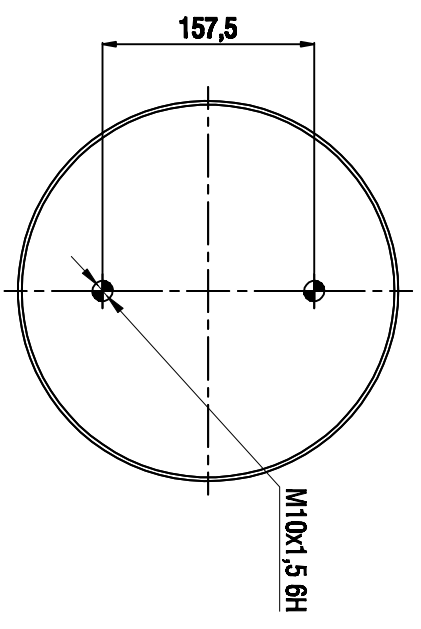


TOP VIEW



BOTTOM VIEW



Drawings are prepared for catalogue study.

REV	0	First drawing	20.05.2014			
Issue	Changes	Date	Drawn by	Checked by	Approved by	
PAKT	De and made	<input checked="" type="checkbox"/> Red/Find	<input checked="" type="checkbox"/> Change size	<input checked="" type="checkbox"/> Air tek	<input checked="" type="checkbox"/> Threaded hole	
WEIGHT:	Main drawing	<small>All rights of this document are the property of AKTAS. It is forbidden to reproduce, distribute, or use this document without the written permission of AKTAS.</small>				ORDER NO:140624
-Kg-	PART NAME: A2 300/30-K06 Metallik Kati Koruk (Airtecth)					