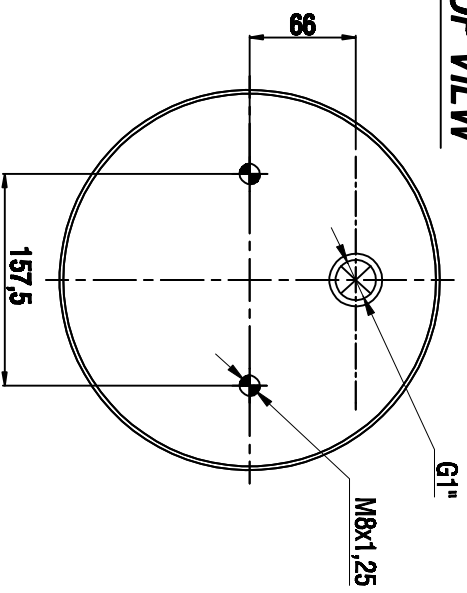
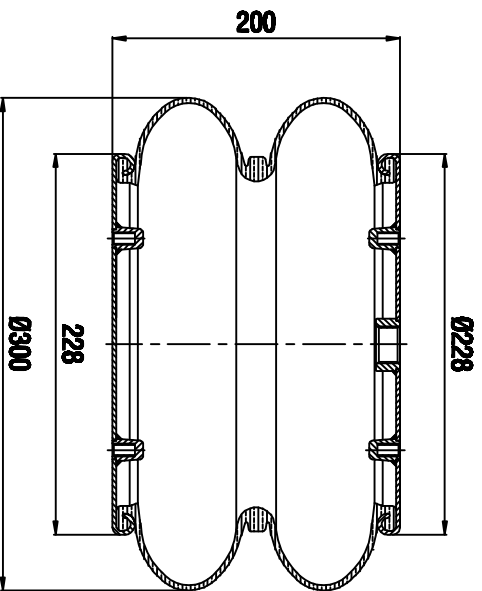
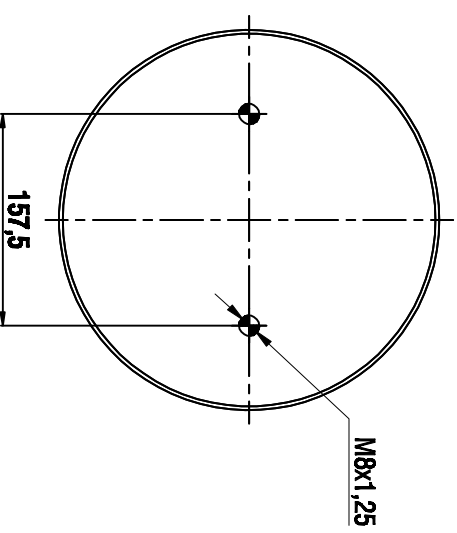


TOP VIEW



BOTTOM VIEW



Drawings are prepared for catalogue study.

1							
0	First drawing	20.05.2014					
1	Change		Drawn by	Checked by	Approved by		
PART WEIGHT: -Kg		<input type="checkbox"/> Solid <input checked="" type="checkbox"/> Combo steel <input type="checkbox"/> Air tek		<input type="checkbox"/> Threaded hole <input checked="" type="checkbox"/> Threaded hole		All rights of this document are the property of AKTAS. It is forbidden to use, copy, reproduce, modify, publish, copy, distribute, sell, or disseminate this document without the written permission of AKTAS.	
PART NAME: A2 300/K04 Metallik Kati Koruk(Alraach)		ORDER NO:140599					