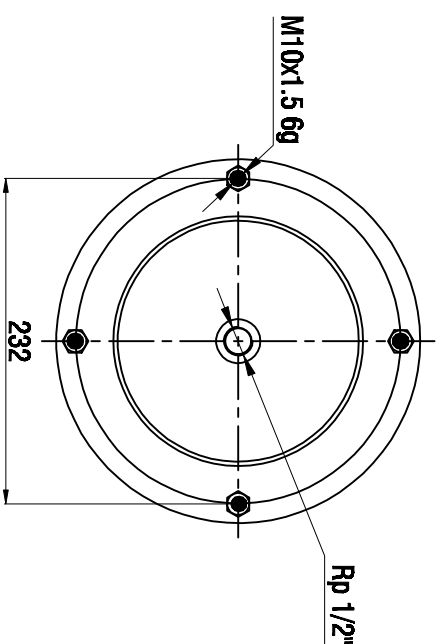
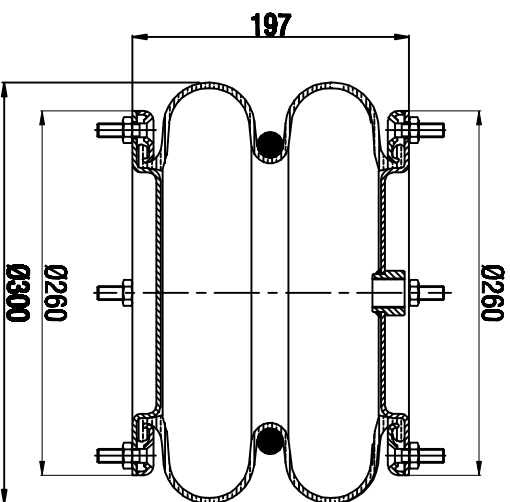
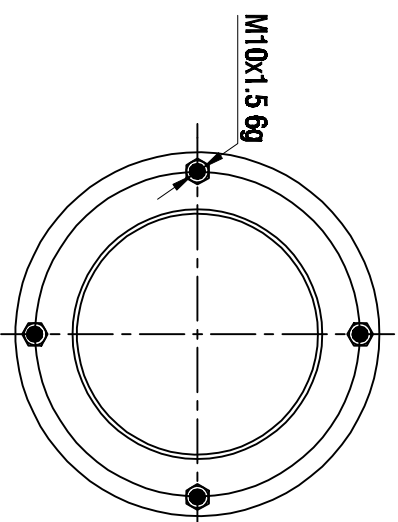


TOP VIEW



BOTTOM VIEW



Drawings are prepared for catalogue study.

1					
0	First drawing	26.05.2014			
1	Changes	Date	Drawn by	Checked by	Approved by
PAFT	De and made	● Solid/rod	⊗ Combo steel	⊗ Air tech	⊕ Threaded hole
WEIGHT:	Main drawing	<small>All rights of this document are the property of AKTAS. It is forbidden to use, copy, reproduce, modify, publish, distribute, sell, rent, lease, loan, or otherwise disseminate this document without the prior written permission of AKTAS.</small>			
-Kg		PART NAME: A2 300/K01 Metall Kaldı Korduk(Airtech)		ORDER NO: 140596	
			