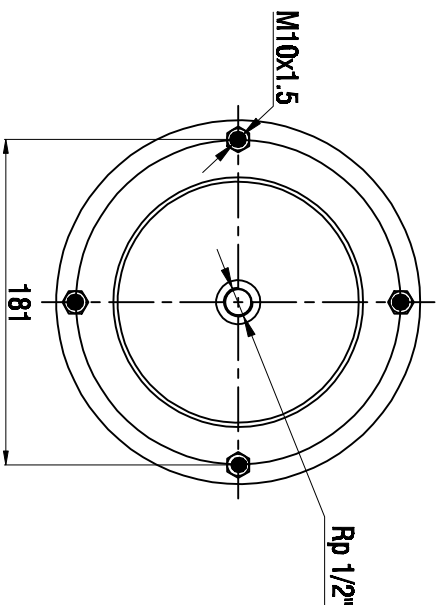
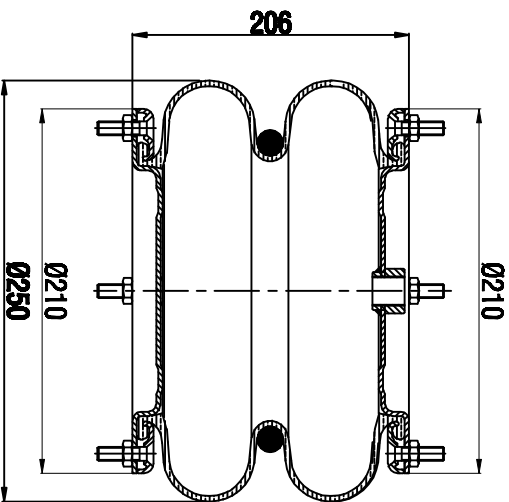
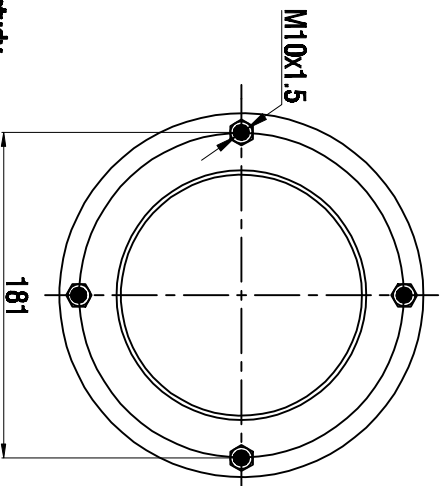


TOP VIEW



BOTTOM VIEW



Drawings are prepared for catalogue study.

1							
0	First drawing	26.05.2014					
1	Change		Drawn by	Checked by	Approved by		
De and made Main drawing		<input checked="" type="checkbox"/> Solid/3d	<input checked="" type="checkbox"/> Combo solid	<input checked="" type="checkbox"/> Air view	<input checked="" type="checkbox"/> Threaded hole	All rights of this document are the property of AKTAS. It is forbidden to use, copy, reproduce, modify, publish, prepare derivative works, or disseminate information in any form or by any means without the prior written permission of AKTAS.	
PART WEIGHT: -Kg		PART NAME: A2 250/K01 Metall Kallı Korduk(Airtech)		ORDER NO: 140586			

