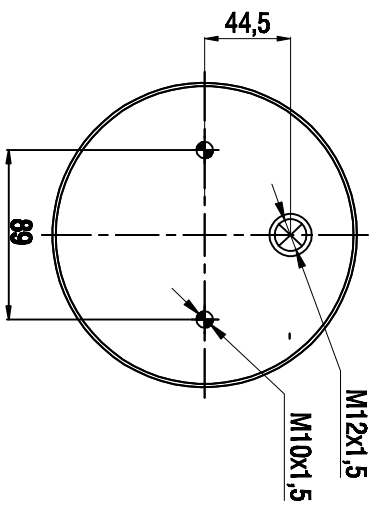
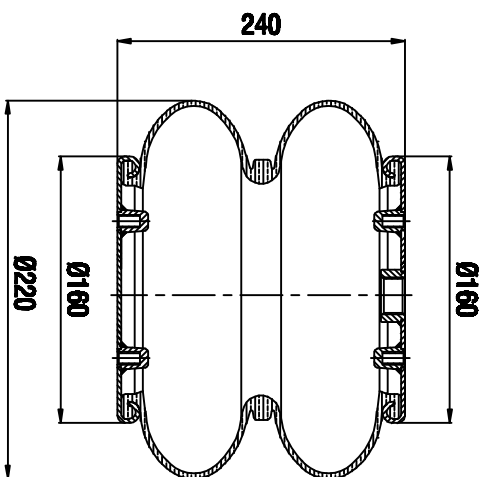
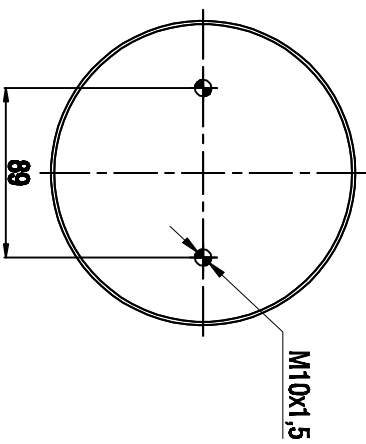


# TOP VIEW



# BOTTOM VIEW



Drawings are prepared for catalogue study.

1					
0		First drawing		20.05.2014	
PAFT		Changes		Date	
WEIGHT:		Do not scale this drawing		Date	
-Kg		● Solid		⊗ Combo steel	
		⊗ Air tek		⊕ Threaded hole	
		All rights reserved. No part of this document may be reproduced without prior written permission of AKTAS.		Checked by	
PART NAME:		A2 220/30-K08 Metall Kati Kor(Aktech)		Approved by	
		ORDER NO:140571			

