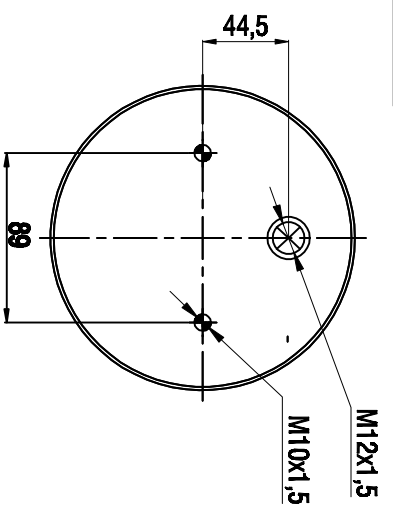
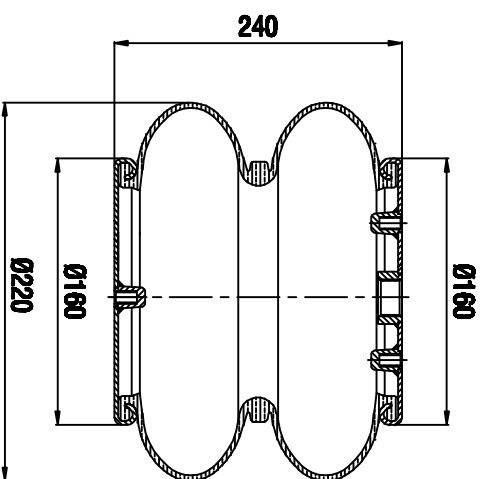
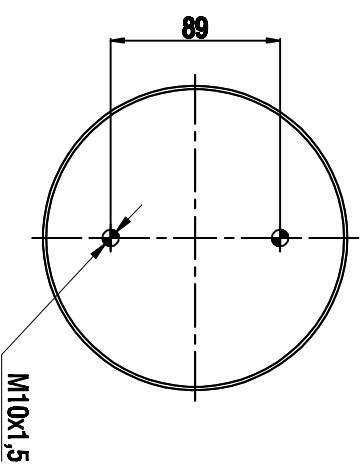


TOP VIEW



BOTTOM VIEW



Drawings are prepared for catalogue study.

1							
0	First drawing	20.05.2014					
1	Changes	Date	Drawn by	Checked by	Approved by		
PAKT	De and made Main drawing	<input checked="" type="checkbox"/> Red/Find	<input checked="" type="checkbox"/> Change steel	<input checked="" type="checkbox"/> Air risk	<input checked="" type="checkbox"/> Threaded hole		
WEIGHT:	<small>All sizes of this document are in millimeters unless otherwise specified. All angles of this document are in degrees unless otherwise specified. All tolerances are in millimeters unless otherwise specified. All dimensions are in millimeters unless otherwise specified.</small>						ORDER NO.:140570
-Kg	PART NAME: A2 220/30-K07 Metall Kati Kor(Airtecth)						