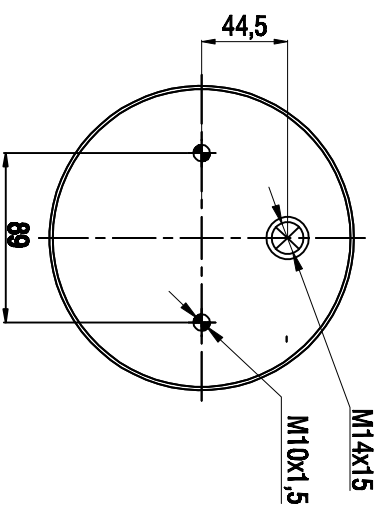
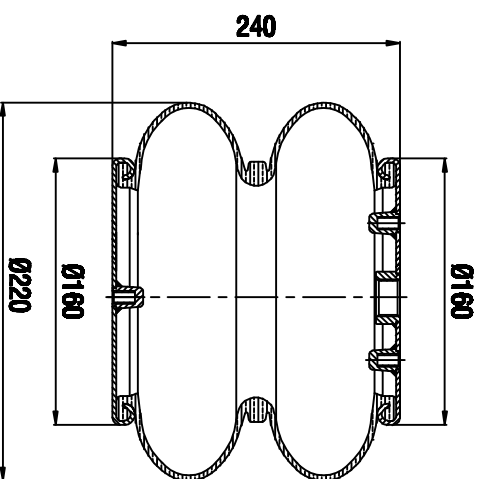
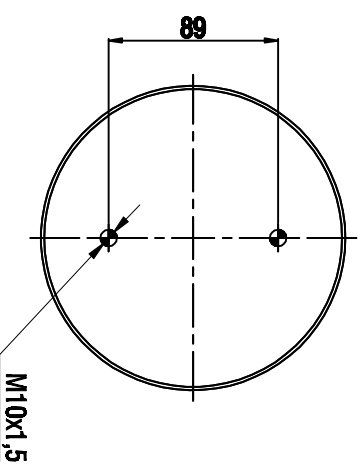


TOP VIEW



BOTTOM VIEW



Drawings are prepared for catalogue study.

1					
0	First drawing	20.05.2014			
1	Changes		Drawn by	Checked by	Approved by
De and made Main drawing		<input checked="" type="checkbox"/> Solid/and	<input checked="" type="checkbox"/> Conical steel	<input checked="" type="checkbox"/> Air valve	<input checked="" type="checkbox"/> Threaded hole
All types of the element can be prepared in stainless steel and special operations can be made by special order for special price.					
Weight: _____ Kg					
PART NAME: A2 220/30-K05 Metallik Kati Kor(Airtecth)			ORDER NO:140566		
