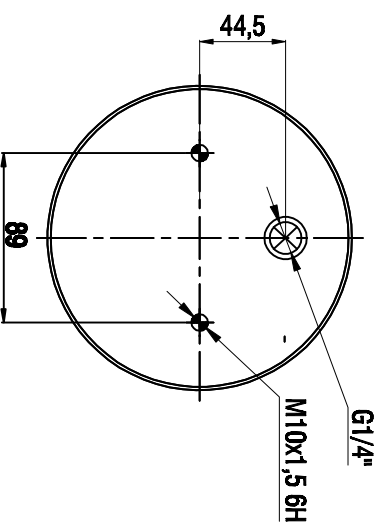
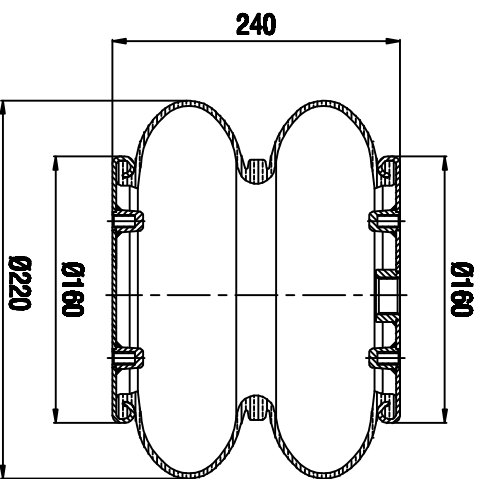
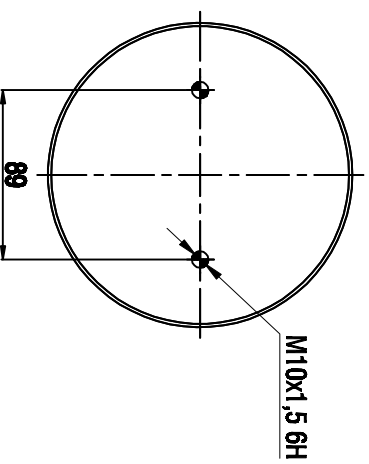



TOP VIEW



BOTTOM VIEW



Drawings are prepared for catalogue study.

1							
0		First drawing		20.05.2014			
PAKT		Changes		Date		Drawn by	
WEIGHT:		De and made Main drawing		<input checked="" type="checkbox"/> Solid/and <input checked="" type="checkbox"/> Combo steel <input checked="" type="checkbox"/> Air tek.		Checked by	
-Kg						Approved by	
PART NAME:		A2 220/30-K03 Metallik Kati Kor(Airtech)				ORDER NO:140566	
							

All rights of this document are the property of AKTAS. It is forbidden to use, copy, reproduce, modify, transfer, publish, or disseminate this document without the written permission of AKTAS.