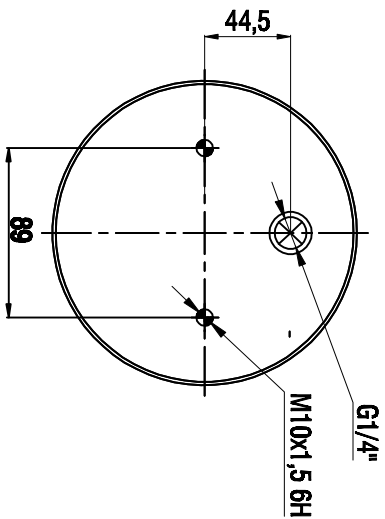
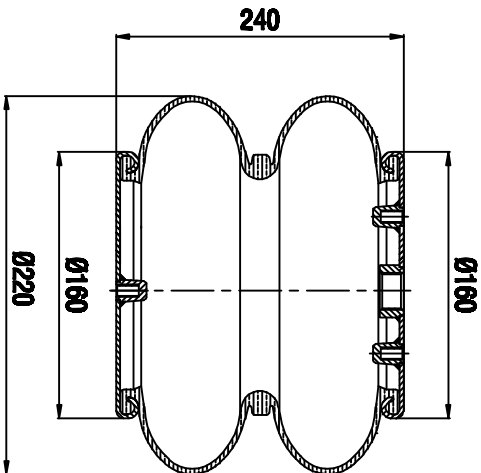
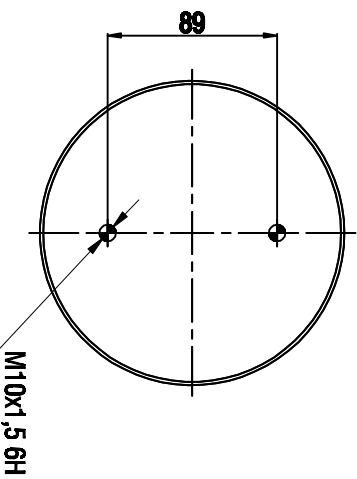



**TOP VIEW**



**BOTTOM VIEW**



Drawings are prepared for catalogue study.

|            |  |  |  |            |  |                 |  |
|------------|--|--|--|------------|--|-----------------|--|
| 1          |  |  |  |            |  |                 |  |
| 0          |  | First drawing  |  | 20.05.2014 |  |                 |  |
| 1          |  | Changes  |  | Date       |  | Drawn by        |  |
| PART       |  | De and made  |  | ● Solid    |  | ⊗ Combo steel   |  |
| WEIGHT:    |  | Main drawing   |  | ⊗ Air vent |  | ⊕ Threaded hole |  |
| -Kg        |  | <small>All data of this document are the property of AKTAS. It is forbidden to use, copy, reproduce, modify, transfer, publish, disseminate, or to use in any way without the prior written permission of AKTAS.</small> |  |            |  |                 |  |
| PART NAME: |  | A2 220/30-K02 Metallik Kati Kor(Aktech)  |  |            |  | ORDER NO:140565 |  |
|            |  |   |  |            |  |                 |  |