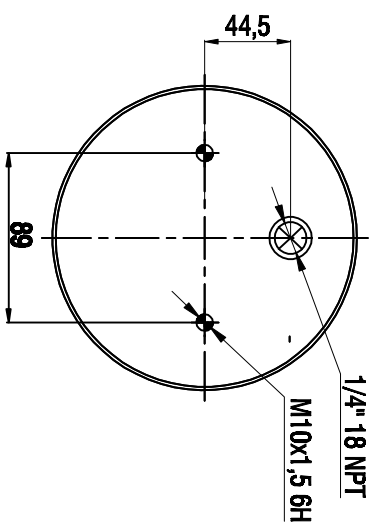
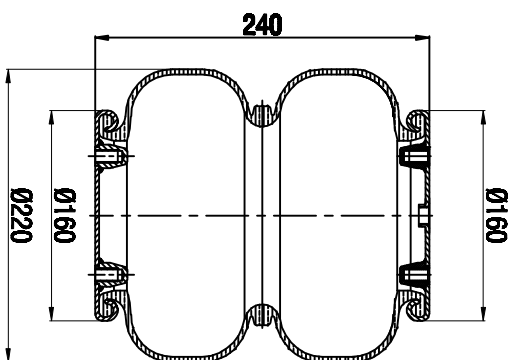
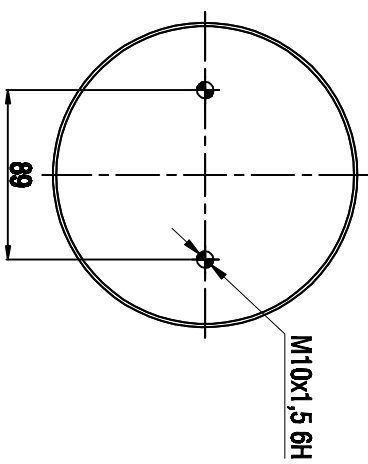


TOP VIEW



BOTTOM VIEW



Drawings are prepared for catalogue study.

1							
0	First drawing	20.05.2014					
PAKT	Changes	Date	Drawn by	Checked by	Approved by		
WEIGHT:	Do not enable this drawing	<input checked="" type="checkbox"/> Solid/3d	<input checked="" type="checkbox"/> Combo solid	<input checked="" type="checkbox"/> Air view	<input checked="" type="checkbox"/> Threaded hole		
-Kg	<small>All rights of this document are the property of AKTAS. It is forbidden to use, copy, reproduce, distribute, disseminate, or to make any kind of modification without the prior written permission of AKTAS.</small>					ORDER NO:140564	
PART NAME: A2 220/30-K01 Metallik Kati Kor(Airtech)						