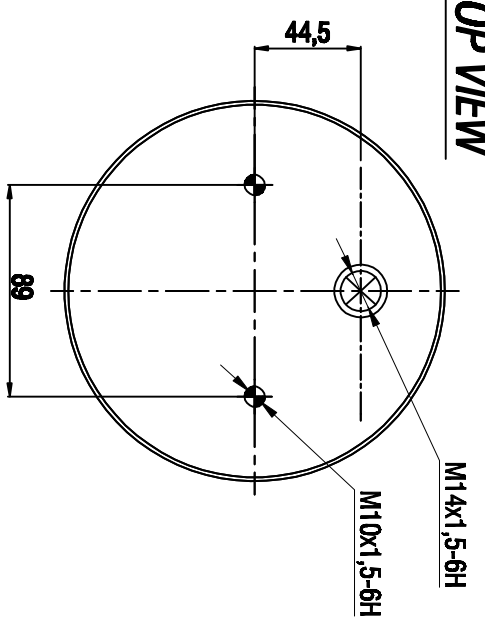
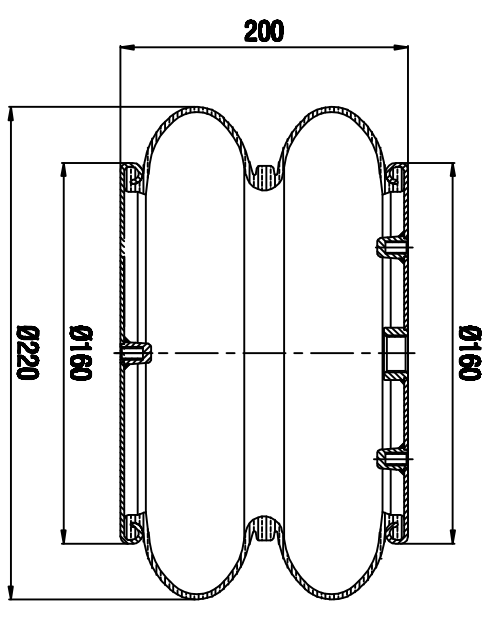
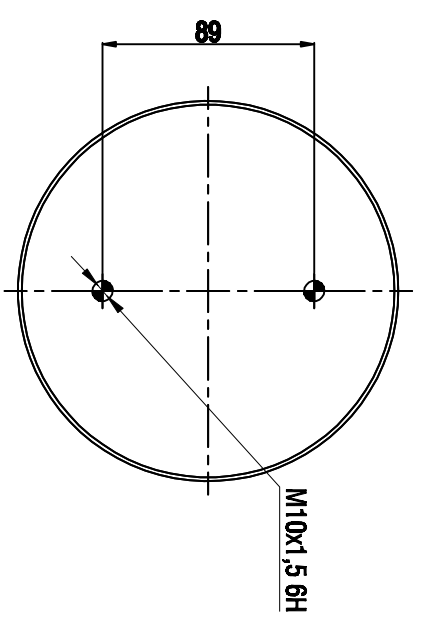


**TOP VIEW**



**BOTTOM VIEW**



Drawings are prepared for catalogue study.

1					
0		First drawing		20.05.2014	
Changes		Date		Drawn by	
Do not make this drawing		Red/and		Checked by	
P/ART		M/rt/nd		Approved by	
W/SH/IT		C/mb/nd		A/r/nd	
-Kg		T/nd/nd		T/nd/nd	
<small>All rights of this document are the property of AKTAS. It is not to be used, copied, reproduced, or modified in any way without the prior written consent of AKTAS.</small>					
PART NAME: <b>A2 220/K10 Metall Kadi Korduk (Altech)</b>				ORDER NO:140547	