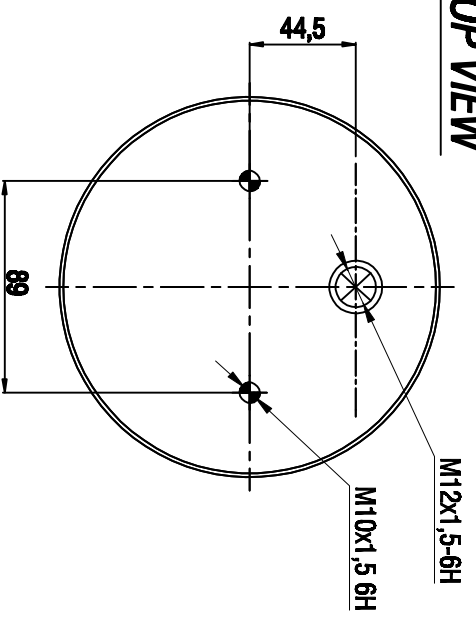
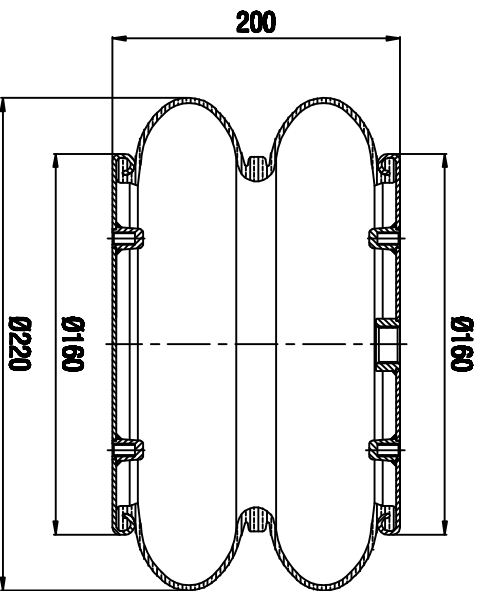
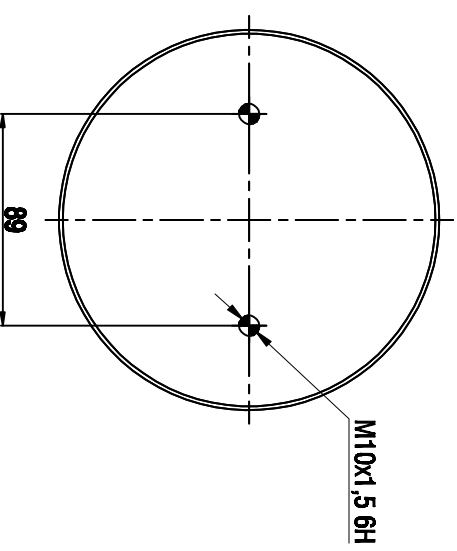


TOP VIEW



BOTTOM VIEW



Drawings are prepared for catalogue study.

1					
0		First drawing		20.05.2014	
Changes		Date		Drawn by	
Do not make this drawing		Red/and		Checked by	
WEIGHT:		Circle steel		Approved by	
-Kg		Air risk		Treaded hole	
<small>All rights of this document are the property of AKTAS. It is forbidden to use, copy, reproduce, modify, publish, copy, distribute, sell, rent, lease, loan, or otherwise disseminate this document without the prior written permission of AKTAS.</small>					
PART NAME: A2 220/K03 Metallik Kadi Korduk (Altrech)				ORDER NO:140540	
