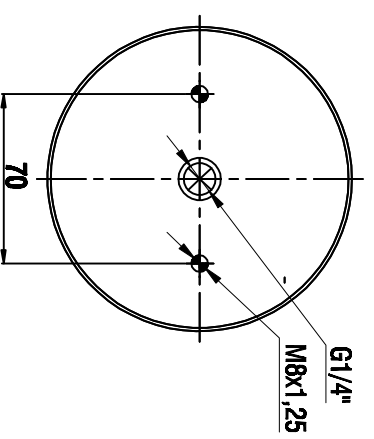
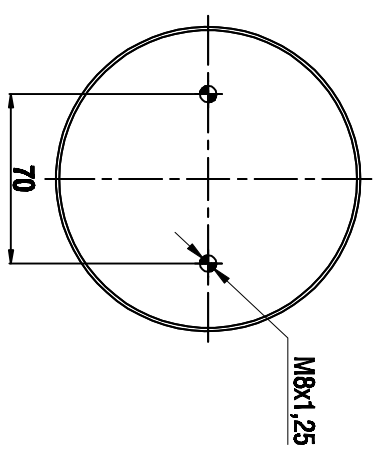



TOP VIEW



BOTTOM VIEW



Drawings are prepared for catalogue study.

1									
0	First drawing	20.05.2014							
1	Change								
PART WEIGHT:		<input type="checkbox"/> Solid <input checked="" type="checkbox"/> Cast <input type="checkbox"/> Forged <input type="checkbox"/> Other		<input checked="" type="checkbox"/> Carbon steel <input type="checkbox"/> Alloy steel <input type="checkbox"/> Inconel <input type="checkbox"/> Titanium <input type="checkbox"/> Aluminum <input type="checkbox"/> Brass <input type="checkbox"/> Copper <input type="checkbox"/> Nickel <input type="checkbox"/> Invar <input type="checkbox"/> Monel <input type="checkbox"/> Hastelloy <input type="checkbox"/> Duplex <input type="checkbox"/> Stainless <input type="checkbox"/> Other		<input type="checkbox"/> Threaded hole <input type="checkbox"/> Non threaded hole		All rights reserved. No part of this document may be reproduced without the prior written permission of AKTAS.	
PART NAME:		A2 185/K03 Metall Kadi Koruk(Altach)				 ORDER NO:140526			