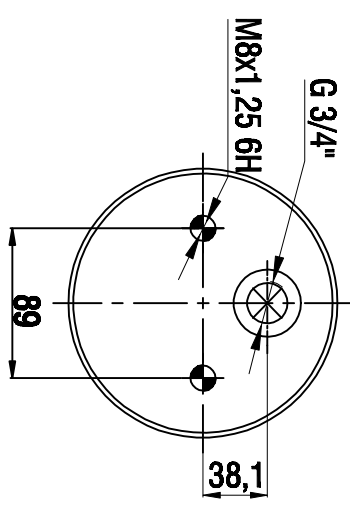
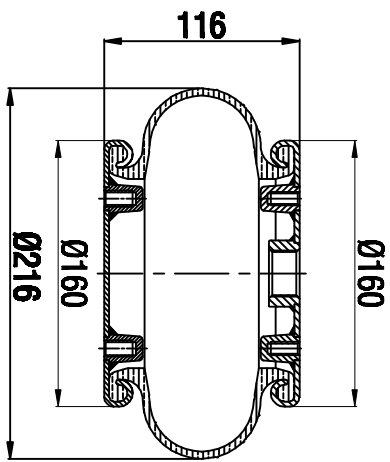
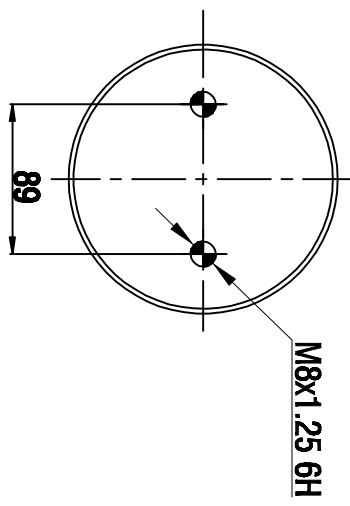


TOP VIEW



BOTTOM VIEW



Drawings are prepared for catalogue study.

1							
0	First drawing	26.05.2014					
PAKT	Changes	Date	Drawn by	Checked by	Approved by		
WEIGHT:	Do not scale this drawing	Material	Circle steel	Air valve	Threaded hole		
Kg	<small>All rights of this document are the property of AKTAS. It is forbidden to reproduce, copy, distribute, or use in any form without the written permission of AKTAS.</small>						ORDER NO: 140511
PART NAME:		A1 220/K01 Metall Kadi Koruk(Alrach)				