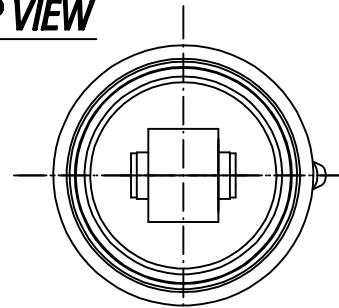
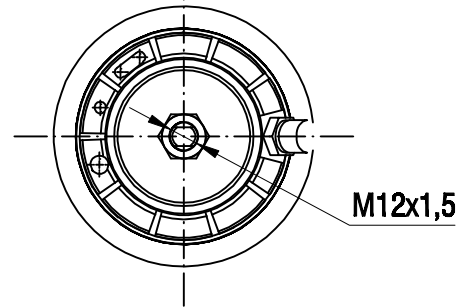


TOP VIEW



BOTTOM VIEW



Drawings are prepared for catalogue study.

↑ Changes	0	First drawing	17.05.2014			
	Issue	Changes	Date	Drawn by	Checked by	Approved by
PART WEIGHT:	<input type="checkbox"/> Do not scale this drawing <input checked="" type="checkbox"/> Body/Shell <input checked="" type="checkbox"/> Cover/stand <input checked="" type="checkbox"/> Air Inlet <input checked="" type="checkbox"/> Threaded hole					
...Kg.	<small>All rights of this document are the property of WIPACAS, its affiliates and agents, registered, and available only for the company's internal use, without further permission of WIPACAS.</small>				ORDER NO: 17000302	
PART NAME:	A 3801401 K1 MAN Amortecedor Kabin K0R000 (Airtech)					