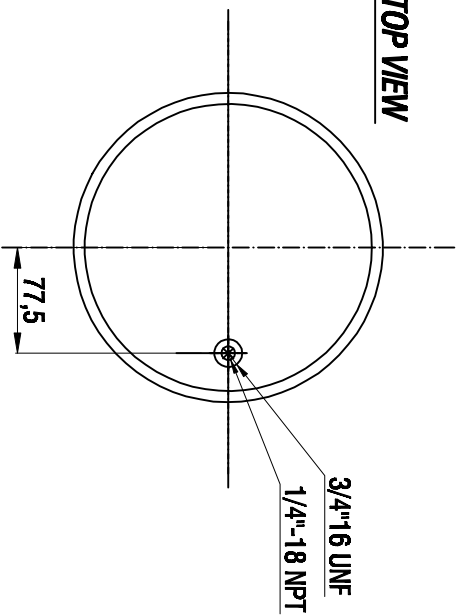
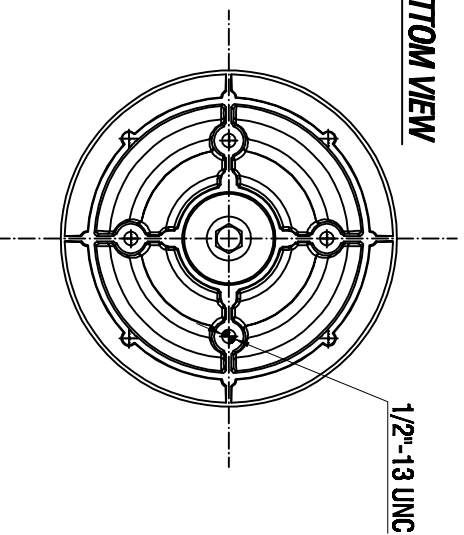


**TOP VIEW**



**BOTTOM VIEW**



Drawings are prepared for catalogue study.

Revizija	Prilozi	Opis promjena	Datum	Crtao	Provjera	Uvjet odobrenja
0	Iskusi	Prvi nacrt	12.12.2012			
<b>LEGENDA:</b> <input type="checkbox"/> Do not make this drawing <input checked="" type="checkbox"/> Redlined <input checked="" type="checkbox"/> Complete sheet <input checked="" type="checkbox"/> Air take <input checked="" type="checkbox"/> Threaded hole						
<b>NOTE:</b> All data of this document are the property of AIRTECH ALU. Any use without the written permission of AIRTECH ALU is strictly prohibited.						<b>ORDER NO: 137162</b>
<b>PART NAME:</b> 39640 K ALU COMPLETE (AIRTECH)						