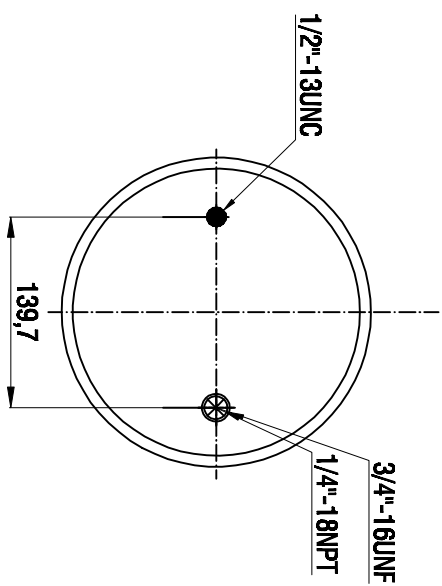
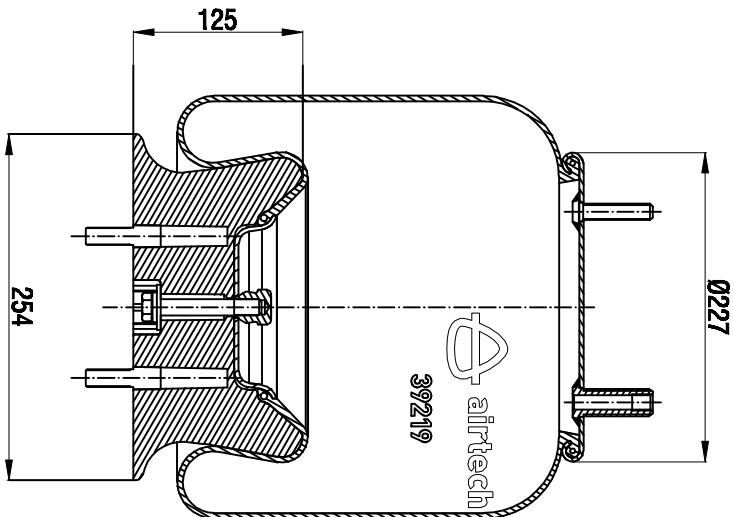
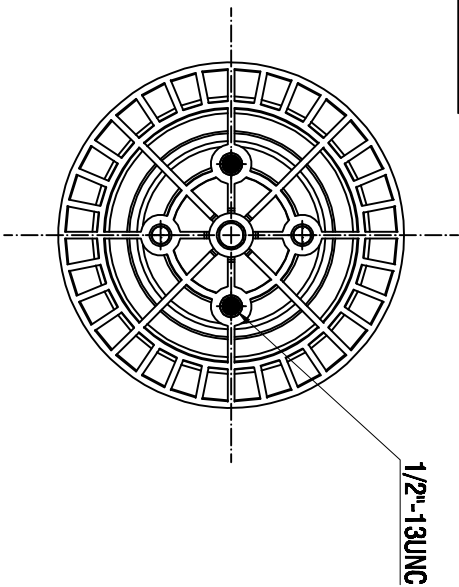


TOP VIEW



BOTTOM VIEW



Drawings are prepared for catalogue study.

0		Free drawing	12.12.2012				
1		Changes	Date	Drawn by	Checked by	Approved by	
PART WEIGHT:		Do not make this drawing	<input checked="" type="checkbox"/> SolidSteel <input checked="" type="checkbox"/> Cambo steel <input checked="" type="checkbox"/> Al Ink		<input checked="" type="checkbox"/> Threaded hole		
PART NAME:		39219 KPP COMPLETE (AIRTECH)				ORDER NO:137112	