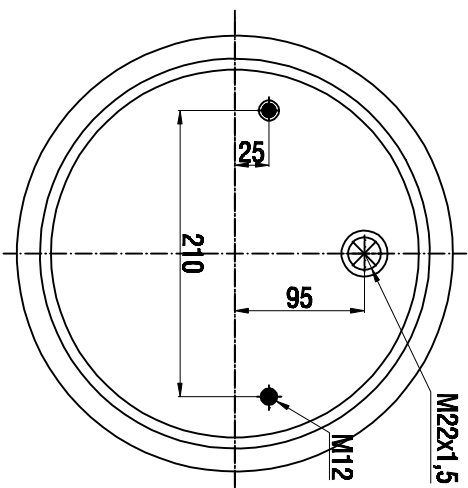
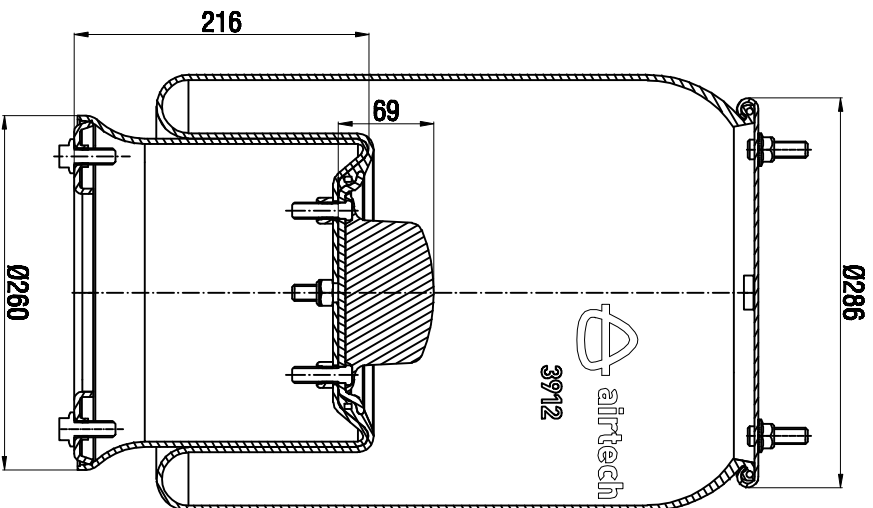
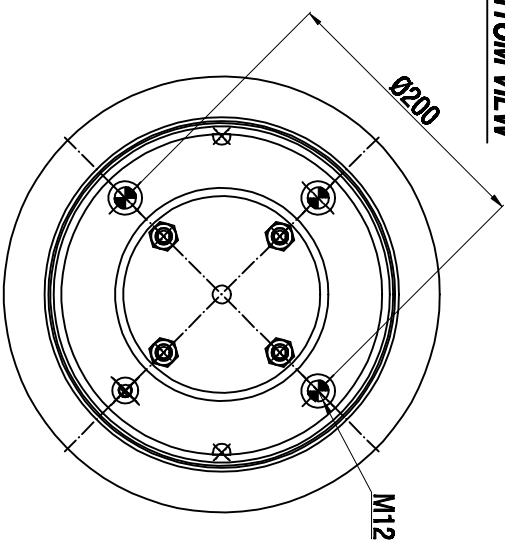


TOP VIEW



BOTTOM VIEW



Drawings are prepared for catalogue study.

0		First drawing	12.12.2012				
1		Changes	Date	Drawn by	Checked by	Approved by	
PART		Do not erase	● Solid line	⊗ Hidden line	⊗ Air line	⊕ Threaded hole	
VERSION:		Do not delete this drawing	<small>All rights of this document are the property of AIRTECH S.p.A. and reproduction, distribution and use without the written permission of AIRTECH S.p.A. are strictly prohibited.</small>				
PART NAME		3912-03 K COMPLETE (AIRTECH)					ORDER NO.: 136372
		