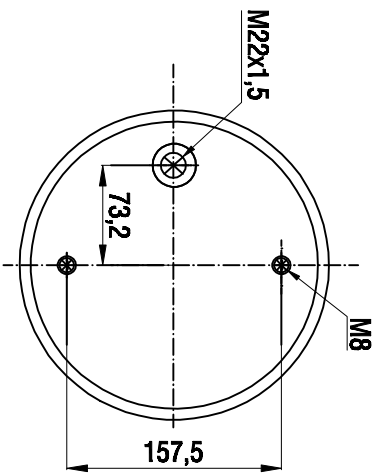
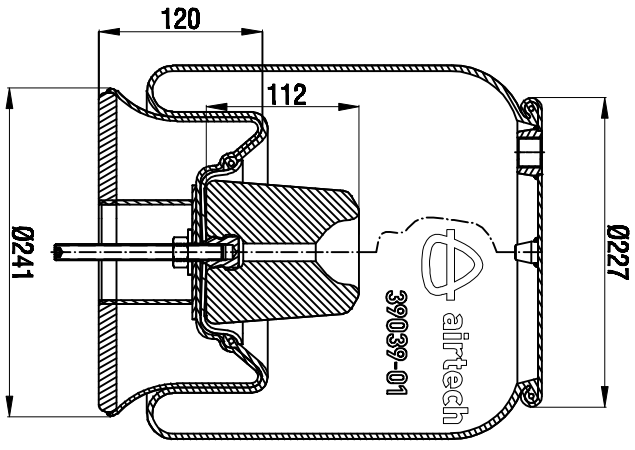
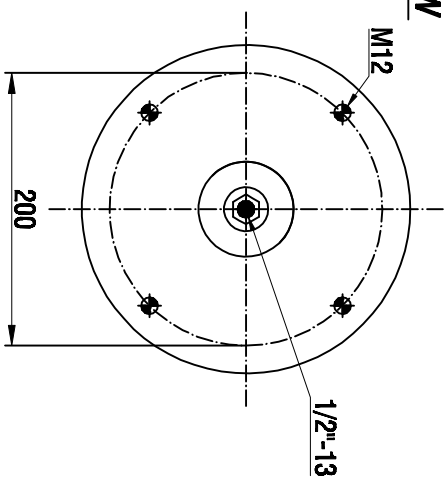


TOP VIEW



BOTTOM VIEW



Drawings are prepared for catalogue study.

Changes	Issue	Date	Drawn by	Checked by	Approved by
0	First drawing	29.09.2009			

Do not mark this drawing	<input checked="" type="checkbox"/> Draft/Prod	<input checked="" type="checkbox"/> Control steel	<input checked="" type="checkbox"/> Air line	<input checked="" type="checkbox"/> Threaded hole
-----------------------------	--	---	--	---

All rights of this document are the property of AIRTECH S.A. & its subsidiaries. All other rights, reproduction, modification, distribution, sale and export, are reserved. All other rights are reserved. All other rights are reserved.

PART NAME: 39039-01 K COMPLETE (AIRTECH)(095.0349)

ORDER NO: 137352