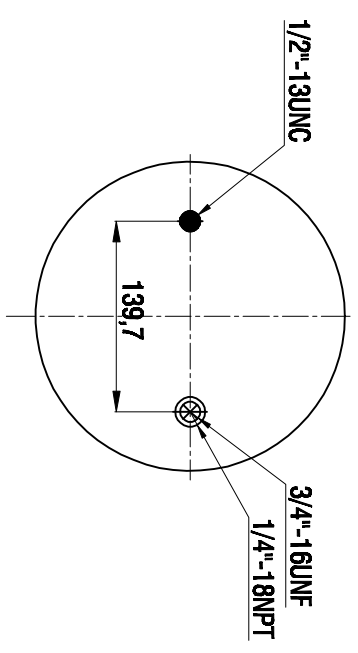
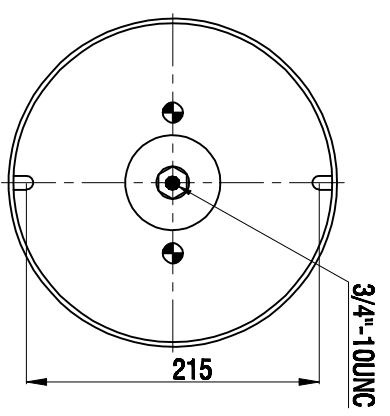


TOP VIEW



BOTTOM VIEW



Drawings are prepared for catalogue study.

1	0	First drawing	12.12.2012				
2	0	Changes					
3	0	Do not make this drawing					
PART WEBKIT:		<input checked="" type="checkbox"/> Built/used <input checked="" type="checkbox"/> Cambo steel <input checked="" type="checkbox"/> Air leak <input checked="" type="checkbox"/> Threaded base	<small>At the date of this document and the purchase of 392039 K Complete and original operational parts, including being replaced by a new part, when the value provided is 20000,00 €.</small>				
PART NAME:		392039 K COMPLETE (AIRTECH)					
		ORDER NO: 194362					