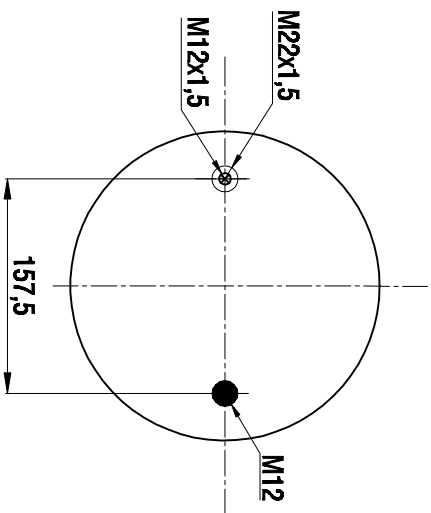
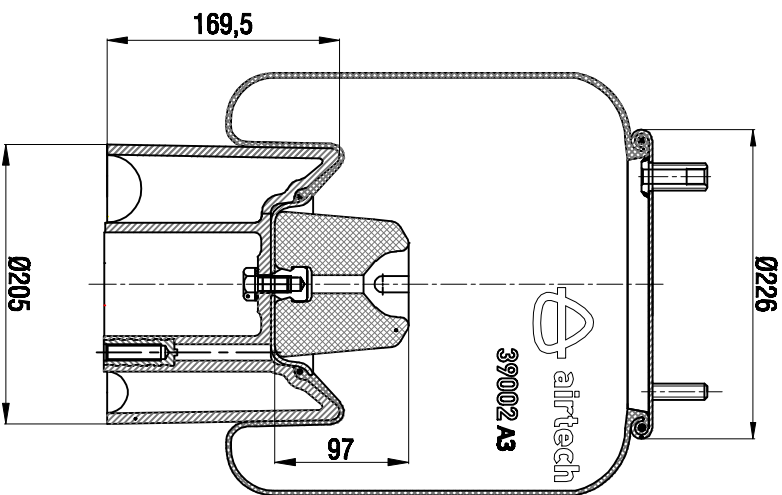
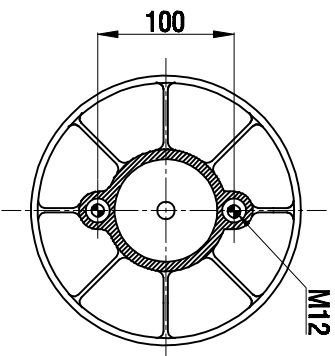


TOP VIEW



BOTTOM VIEW



Drawings are prepared for catalogue study.

Revision		Date		Drawn by		Checked by		Approved by	
0	First drawing	12.12.2012							
Changes		Date		Drawn by		Checked by		Approved by	
Do not scale this drawing									
WEIGHT: -Kg		Material		Circle steel		Air tech		Threaded hole	
PART NAME		39002-A3 KPP COMPLETE (AIRTECH)		ORDER NO.: 136482					



aktas