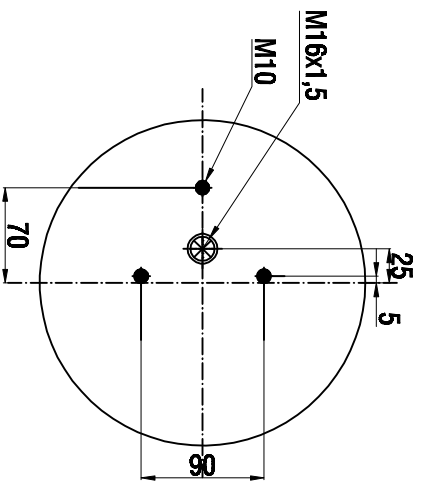
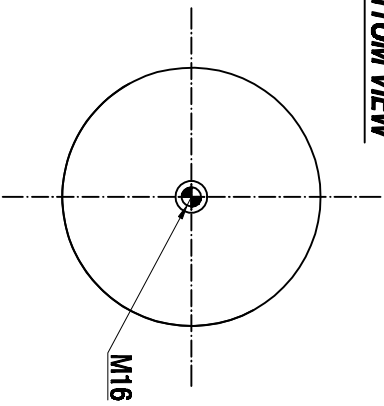


**TOP VIEW**



**BOTTOM VIEW**



Drawings are prepared for catalogue study.

0	First drawing	12.12.2012			
1	Changes	Date	Drawn by	Checked by	Approved by
Do not make this drawing without the approval of the project manager.		<input checked="" type="checkbox"/> Draft <input checked="" type="checkbox"/> Complete <input checked="" type="checkbox"/> Approved	<input checked="" type="checkbox"/> CAD <input checked="" type="checkbox"/> 3D <input checked="" type="checkbox"/> 2D	<input checked="" type="checkbox"/> Checked <input checked="" type="checkbox"/> Approved	<input checked="" type="checkbox"/> Approved <input checked="" type="checkbox"/> Rejected
PART NAME: 3889 K COMPLETE (AIRTECH)		ORDER NO: 136632			