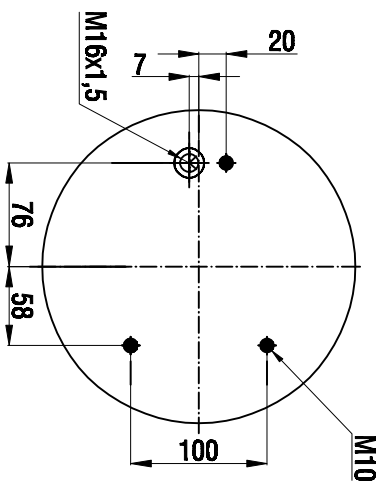
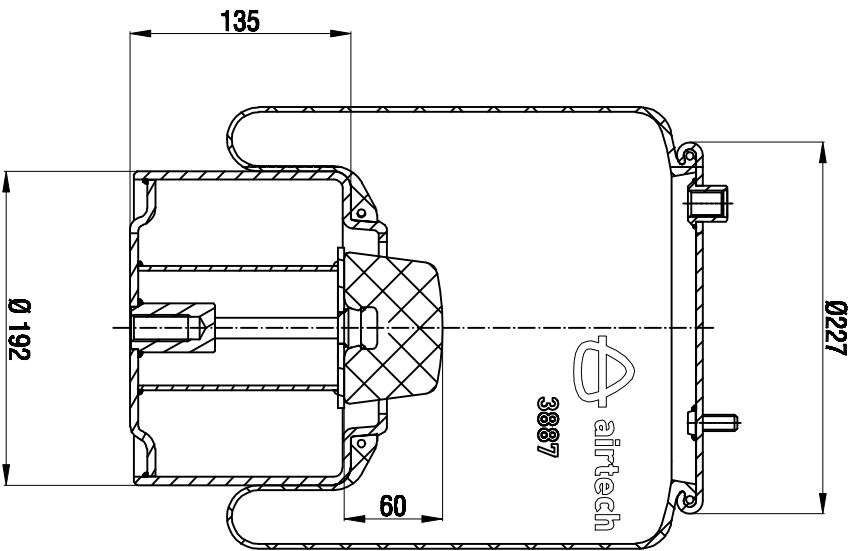
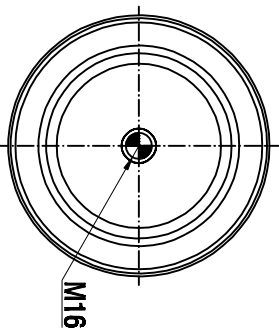


TOP VIEW



BOTTOM VIEW



Drawings are prepared for catalogue study.

Revision							
0	First drawing	12.12.2012					
Change							
	Issued	Changed	Date	Drawn by	Checked by	Approved by	
PART	Do not make this drawing	<input checked="" type="checkbox"/> Red/Blue	<input checked="" type="checkbox"/> Green/Black	<input checked="" type="checkbox"/> Air Ink	<input checked="" type="checkbox"/> Threaded hole		
WEIGHT:	<small>All rights reserved on the property of AIRTECH S.A. Reserved and not to be reproduced, used, modified, copied or otherwise without the prior permission of AIRTECH S.A.</small>						
PART NAME:	3887 K COMPLETE (AIRTECH)					ORDER NO:134902	