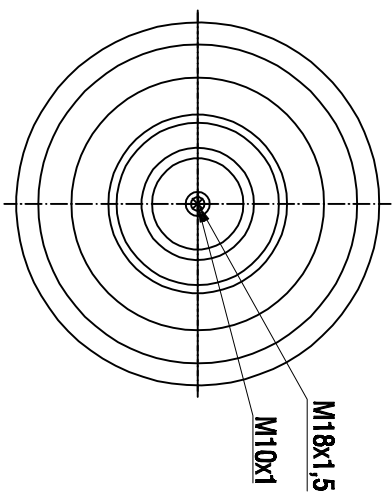
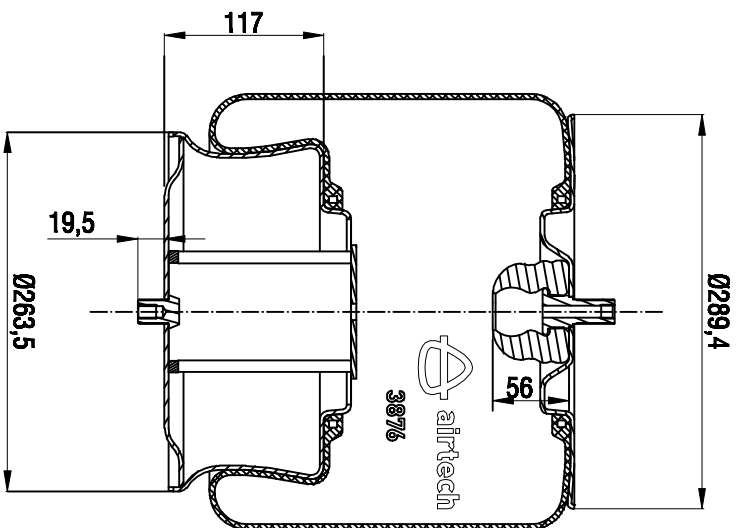
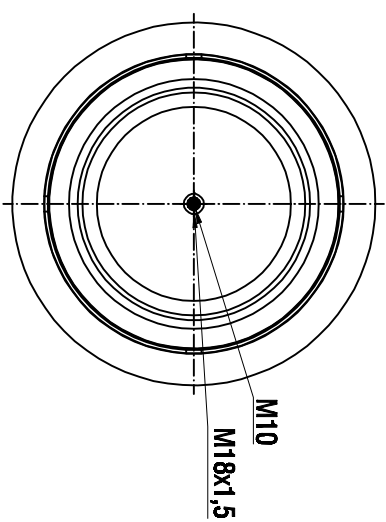


TOP VIEW



BOTTOM VIEW



Drawings are prepared for catalogue study.

Issue	0	First drawing	12.12.2012				
Changes							
Do not scale this drawing	<input checked="" type="checkbox"/>	Red/Red	<input checked="" type="checkbox"/> Center hole	<input checked="" type="checkbox"/> Air hole	<input checked="" type="checkbox"/> Threaded hole		
VERSION:	<small>All rights reserved. All dimensions and tolerances are in millimeters unless otherwise specified. All dimensions are given in millimeters unless otherwise specified.</small>						ORDER NO.: 135222
...kg	PART NAME: 3876 K COMPLETE (AIRTECH)						