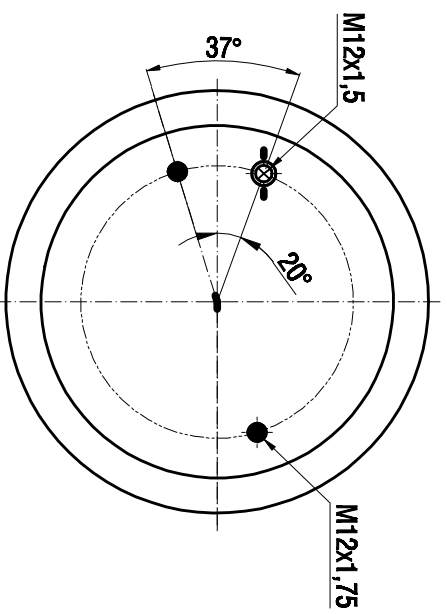
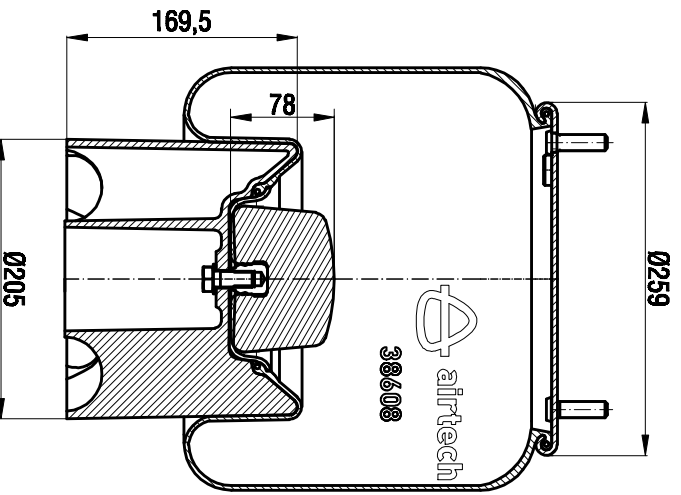
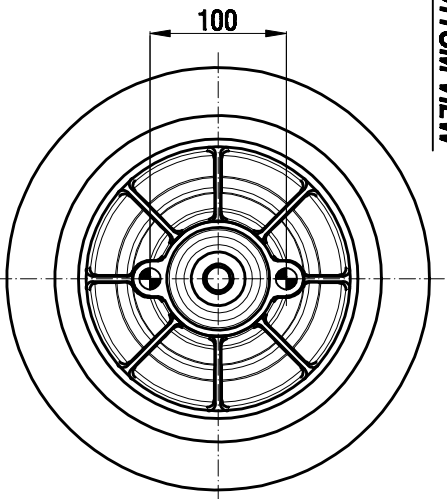


**TOP VIEW**



**BOTTOM VIEW**



Drawings are prepared for catalogue study.

Changes				
0	First drawing	25.06.2008		
Issues	Changes	Date	Drawn by	Approved by
Do not mark this drawing	<input checked="" type="checkbox"/> Best/Skiz <input checked="" type="checkbox"/> Checked skiz <input checked="" type="checkbox"/> Air line <input checked="" type="checkbox"/> Threaded hole			
<small>All rights reserved by the company AIRTECH S.p.A. Production and export operations made possible by our patent portfolio. Virtual reality presentation (VFR) ILL.</small>				
PART WEIGHT: Kg.			ORDER NO: 136602	
PART NAME: 38608 COMPLETE (AIRTECH)			