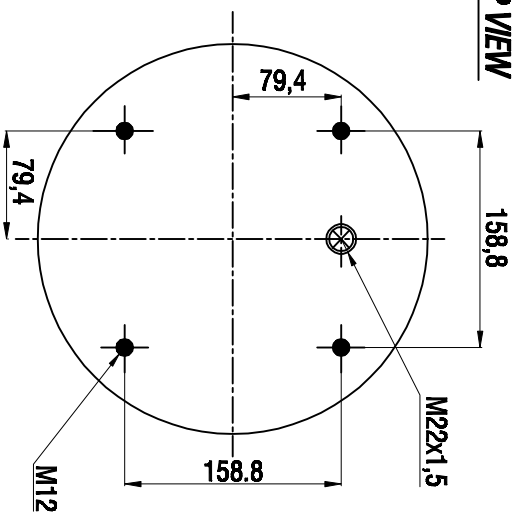
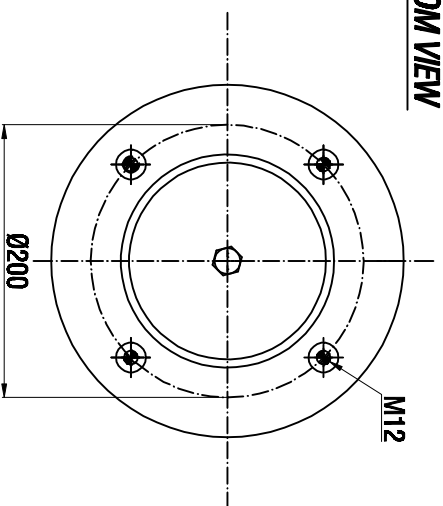



TOP VIEW



BOTTOM VIEW



Drawings are prepared for catalogue study.

1		Part drawing		12.12.2012		Drawn by		Checked by		Approved by	
0		Changes		Date		Drawn by		Checked by		Approved by	
PANT		Do not create		● Deleted		⊗ Cancelled		⊗ Air lock		⊕ Threaded hole	
WEIGHT:		Data drawing		At request of the customer and the approval of the manufacturer		and the manufacturer's approval		and the manufacturer's approval		ORDER NO.:136422	
-Kg-											
PART NAME		3813-10 K COMPLETE (AIRTECH)									