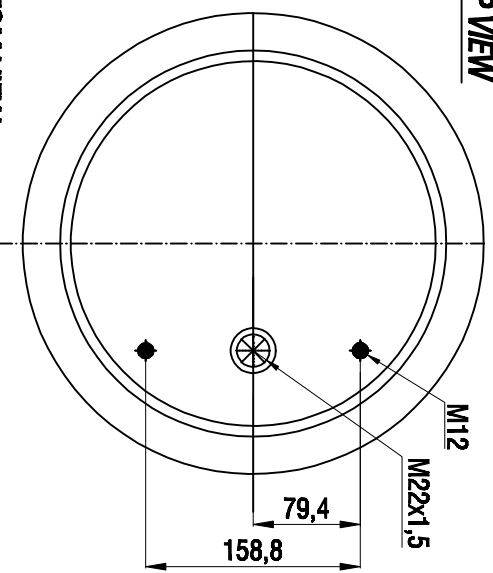
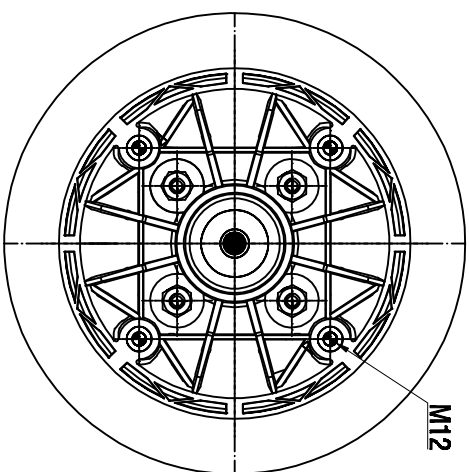



TOP VIEW



BOTTOM VIEW



Drawings are prepared for catalogue study.

№	0	Free drawing	12.12.2012				
Issue	0	Changes	Date	Drawn by	Checked by	Approved by	
PART WEIGHT: ...kg	Do not weld	Do not drill	Do not sand	Do not paint	Do not heat	Do not thread	Do not ...
	Do not ...						
<small>All rights of this document are reserved by AIRTECH. Any reproduction or use without the permission of AIRTECH is prohibited.</small>							
PART NAME	3813-08 KPP COMPLETE (AIRTECH)						
	ORDER NO.: 135782						