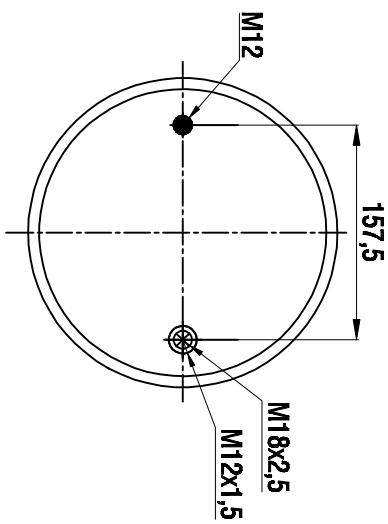
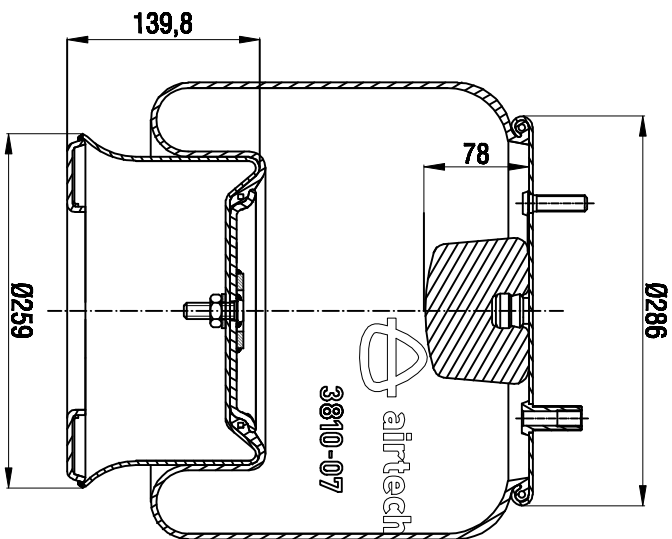
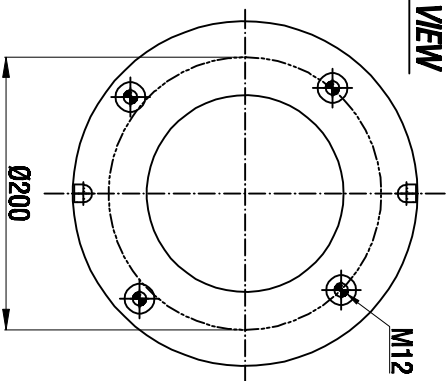


TOP VIEW



BOTTOM VIEW



Drawings are prepared for catalogue study.

Changes	Issue	Change	Date	Drawn by	Checked by	Approved by
0	First drawing		29.09.2009			

PART WEIGHT: 0 Kg	Do not mark this drawing <input checked="" type="checkbox"/> Draft <input checked="" type="checkbox"/> Quoted detail <input checked="" type="checkbox"/> Air line <input checked="" type="checkbox"/> Threaded hole	All rights reserved for the property of AIRTECH S.A. & its subsidiaries and related companies. No parts may be reproduced or used without the prior written permission of AIRTECH S.A.	ORDER NO: 137282
----------------------	---	--	------------------

PART NAME: 3810-07 K COMPLETE (AIRTECH) (095.0334)	
--	--