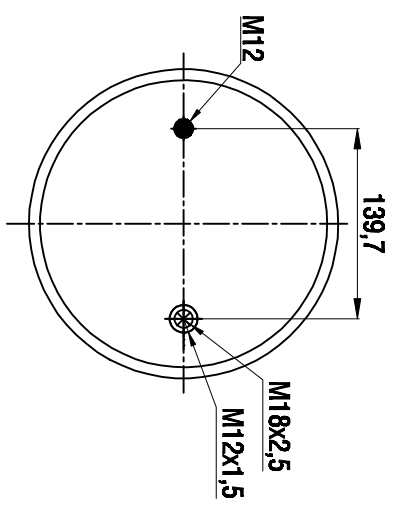
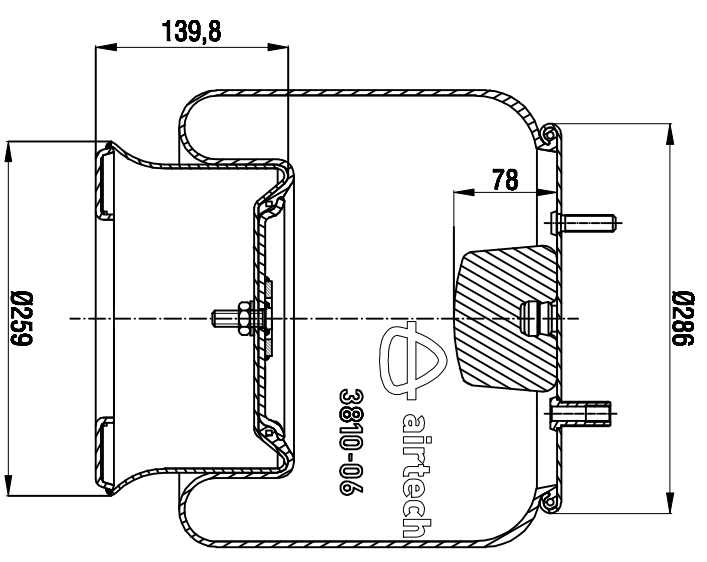
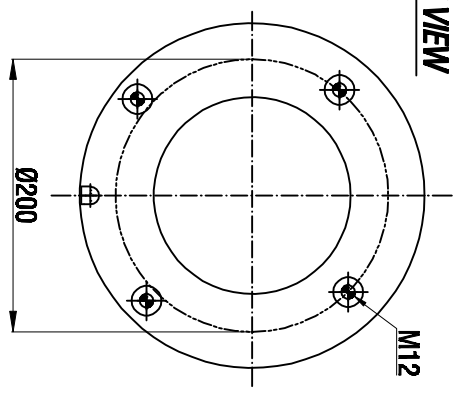


TOP VIEW



BOTTOM VIEW



Drawings are prepared for catalogue study.

Changes	Issue	Date	Drawn by	Checked by	Approved by
0	First drawing	29.09.2009			

PART NAME	3810-06 K COMPLETE (AIRTECH) (095.0386)	ORDER NO: 137292
WEIGHT:	0 kg	
Do not mark this drawing	<input checked="" type="checkbox"/> Draft/Prod <input checked="" type="checkbox"/> Control sheet <input checked="" type="checkbox"/> Air line <input checked="" type="checkbox"/> Threaded hole	