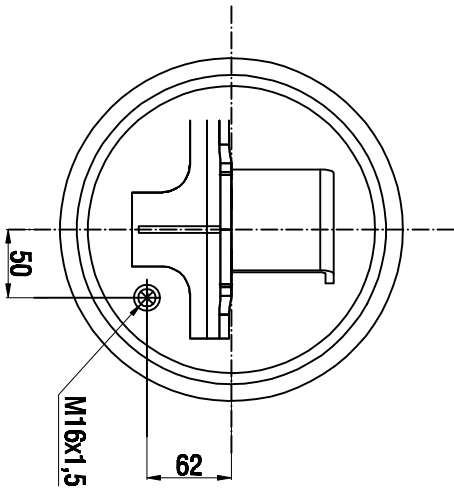
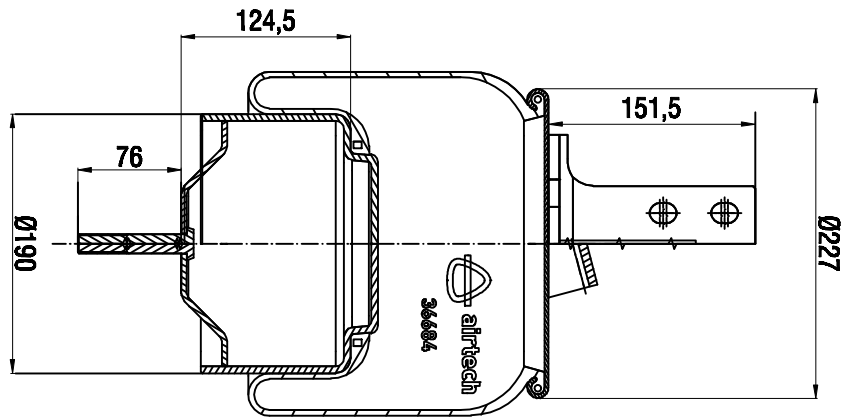
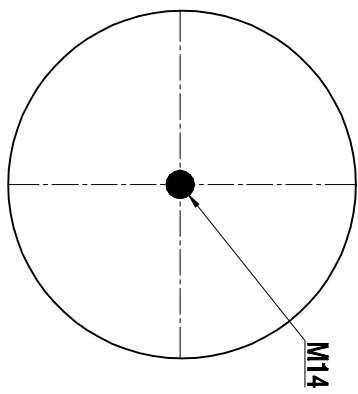


**TOP VIEW**



**BOTTOM VIEW**



Drawings are prepared for catalogue study.

|                          |  |  |  |             |  |
|--------------------------|--|--|--|-------------|--|
| 1                        |  |  |  |             |  |
| 0                        |  | First drawing  |  | 23.08.2013  |  |
| Changes                  |  | Date   |  | Drawn by    |  |
| Do not make this drawing |  | <input checked="" type="checkbox"/> Solid<br><input checked="" type="checkbox"/> Combo solid<br><input checked="" type="checkbox"/> Air tek<br><input checked="" type="checkbox"/> Threaded hole   |  | Checked by  |  |
| APPROVED:                |  | All rights reserved. No part of this document may be reproduced, stored in a retrieval system, or transmitted in any form or by any means, electronic, mechanical, photocopying, recording, or by any information storage and retrieval system, without the prior written permission of AIRTECH. |  | Approved by |  |
| -Kg                      |  | ORDER NO.:136092   |  |             |  |
| PART NAME:               |  | 36684 K COMPLETE (AIRTECH)   |  |             |  |