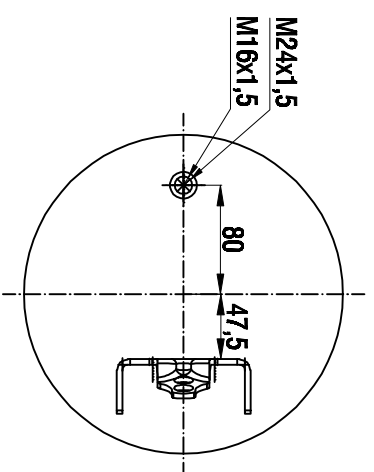
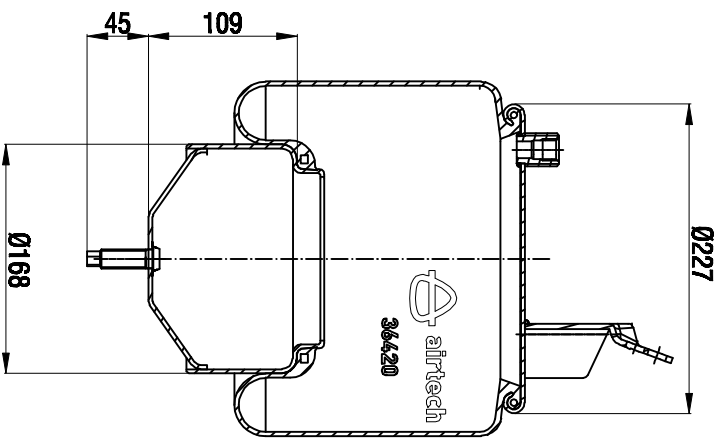
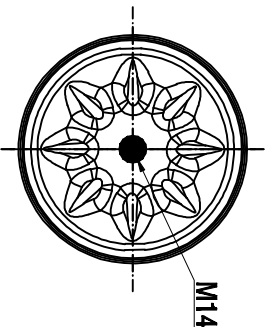




**TOP VIEW**



**BOTTOM VIEW**



Drawings are prepared for catalogue study.

<p><b>REVISIONS</b></p> <table border="1"> <tr> <th>No</th> <th>Reason</th> <th>Date</th> <th>Drawn by</th> <th>Checked by</th> <th>Approved by</th> </tr> <tr> <td>1</td> <td>Pictor was changed</td> <td>28.05.2013</td> <td></td> <td></td> <td></td> </tr> </table>		No	Reason	Date	Drawn by	Checked by	Approved by	1	Pictor was changed	28.05.2013			
No	Reason	Date	Drawn by	Checked by	Approved by								
1	Pictor was changed	28.05.2013											
<p><b>PART NUMBER:</b> 36420</p>	<p><b>Do not make this drawing</b></p>												
<p><b>WEBBET:</b>  <b>airtech</b></p> <p><small>All rights of this document are the property of AIRTECH S.A. All trademarks and registered trademarks remain the property of their respective owners. All other marks are the property of their respective owners.</small></p>	<p><b>ORDER NO:</b> 135282</p>												
<p><b>PART NAME:</b> 36420 K COMPLETE (AIRTECH)</p>	<p> <b>aktas</b></p>												