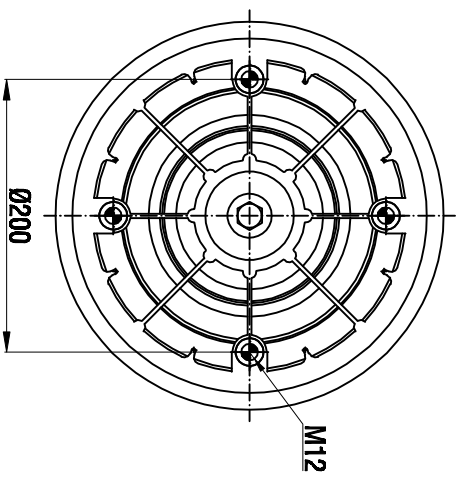


**TOP VIEW**



**BOTTOM VIEW**

**Drawings are prepared for catalogue study.**

Revision	0	First drawing	12.12.2012				
Author		Changes	Date	Drawn by	Checked by	Approved by	
PART NAME	36247 KPP COMPLETE (AIRTECH)						
VEIBENT:	<input type="checkbox"/> Do not send this drawing <input checked="" type="checkbox"/> Red/Red <input checked="" type="checkbox"/> Green/Green <input type="checkbox"/> Air Ink <input checked="" type="checkbox"/> Threaded hole						
.../06	All rights of this document are the property of AKTAS, A.S. All trademarks and registered trademarks are used hereunder without permission.						
ORDER NO:	1385942						
AKTAS							